



## Groundsmaster<sup>®</sup> 3500-D

Model No. 30839 - 260000401 and up.

### Parts Catalog

---

#### **Ordering Replacement Parts**

To order replacement parts, please supply the part number, the quantity, and the description of each part desired.

#### **Understanding Reference Numbers**

Each identified part in an illustration has a reference number. The reference number for a part also appears in the parts list, along with other information about the part.

This catalog uses two special reference number formats, one to indicate parts in a service assembly and another to indicate the quantity of a given part in an illustration.

#### **Service Assembly Reference Numbers**

Parts in service assemblies have reference numbers in the form a:b. The a represents the reference number of the entire service assembly and the b represents a sequential number unique to each part within the service assembly.

For example, a wheel assembly might be identified by reference number 6, the tire by 6:1, the valve by 6:2, and the wheel by 6:3. When you order the assembly identified by reference number 6, you receive all parts identified by reference numbers 6:1, 6:2, and 6:3. However, you may also order any part individually. Reference numbers of this type appear in illustrations and in part lists.

#### **Reference Numbers Indicating Quantity**

In an illustration, if a reference number indicates more than one part, the reference number has the form nX y. The n represents the quantity of the part, the X is the multiplication symbol, and the y represents the reference number.

For example, in an illustration, the reference number 2X 37 means that two of the parts identified by reference number 37 are indicated.

# Contents

<b>Description</b>	<b>Page</b>	<b>Description</b>	<b>Page</b>
Frame Assembly	..... 4	Battery Assembly	..... 41
Front Wheel and Brake Assembly	..... 5	Parking Brake Assembly	..... 42
Hydraulic Motor Assembly No. 75-9990	..... 6	Seat Mounting Assembly	..... 43
Hydraulic Motor Assembly No. 95-8693	..... 7	Crankcase Assembly	..... 44
Brake Assembly No. 104-7705	..... 8	Dipstick and Oil Pan Assembly	..... 45
Steering Column Assembly	..... 9	Cylinder Head Assembly	..... 46
Steering Valve Assembly No. 104-5180	..... 10	Head Cover Assembly	..... 47
Rear Fork and Tire Assembly	..... 11	Gear Case, Oil Filter and Stop Solenoid Assembly	..... 48
Hydraulic Cylinder Assembly No. 94-8141	..... 12	Main Bearing Assembly	..... 49
Hydraulic Motor Assembly No. 95-8694	..... 13	Camshaft and Idle Gear Shaft Assembly	..... 50
Control Panel Assembly	..... 14	Piston and Crankshaft Assembly	..... 51
Front Platform Assembly	..... 15	Flywheel Assembly	..... 52
Traction Pedal Assembly	..... 16	Fuel Camshaft and Governor Shaft Assembly	..... 53
Control Valve Installation Assembly	..... 17	Idle Apparatus Assembly	..... 54
Valve Assembly No. 95-8581	..... 18	Injection Pump Assembly	..... 55
Rear Lift Arm Assembly	..... 19	Governor Assembly	..... 56
Hydraulic Cylinder Assembly No. 108-9033	..... 21	Speed Control Plate Assembly	..... 57
Neutral Arm Assembly	..... 22	Nozzle Holder and Glow Plug Assembly	..... 58
Engine Assembly	..... 23	Nozzle Holder Assembly	..... 59
Air Cleaner and Muffler Assembly	..... 24	Alternator and Pulley Assembly	..... 60
Radiator Assembly	..... 25	Alternator (Component Part) Assembly	..... 61
Hood and Screen Assembly	..... 26	Starter (Component Part) Assembly No. 98-9705	..... 62
Fuel Tank Assembly	..... 27	Water Flange and Thermostat Assembly	..... 63
Water and Fuel Filter Assembly No. 98-9305	..... 28	Water Pump Assembly	..... 64
Manifold Block Installation Assembly	..... 29	Inlet and Exhaust Manifold Assembly	..... 65
Manifold Block Assembly No. 107-7806	..... 30	Valve Rocker Arm Assembly	..... 66
Hydraulic Tank Assembly	..... 31	Turbo Charger Assembly	..... 67
Hydrostat Assembly	..... 32	Turbo Charger Oil Pipe Assembly	..... 68
Piston Pump Assembly No. 104-4890	..... 34	Oil Cooler Assembly	..... 69
Hydraulic Gear Pump Assembly No. 108-9036	..... 35	Gasket Kit Assembly	..... 70
Carrier Assembly	..... 36	Starter, Overflow Bottle and Other Miscellaneous Part Assembly	..... 71
Scissor Assembly	..... 38	Attachments and Accessories List	..... 72
Rotary Motor Assembly	..... 39		
Hydraulic Motor Assembly No. 105-9872	..... 40		

## Part Description Abbreviations

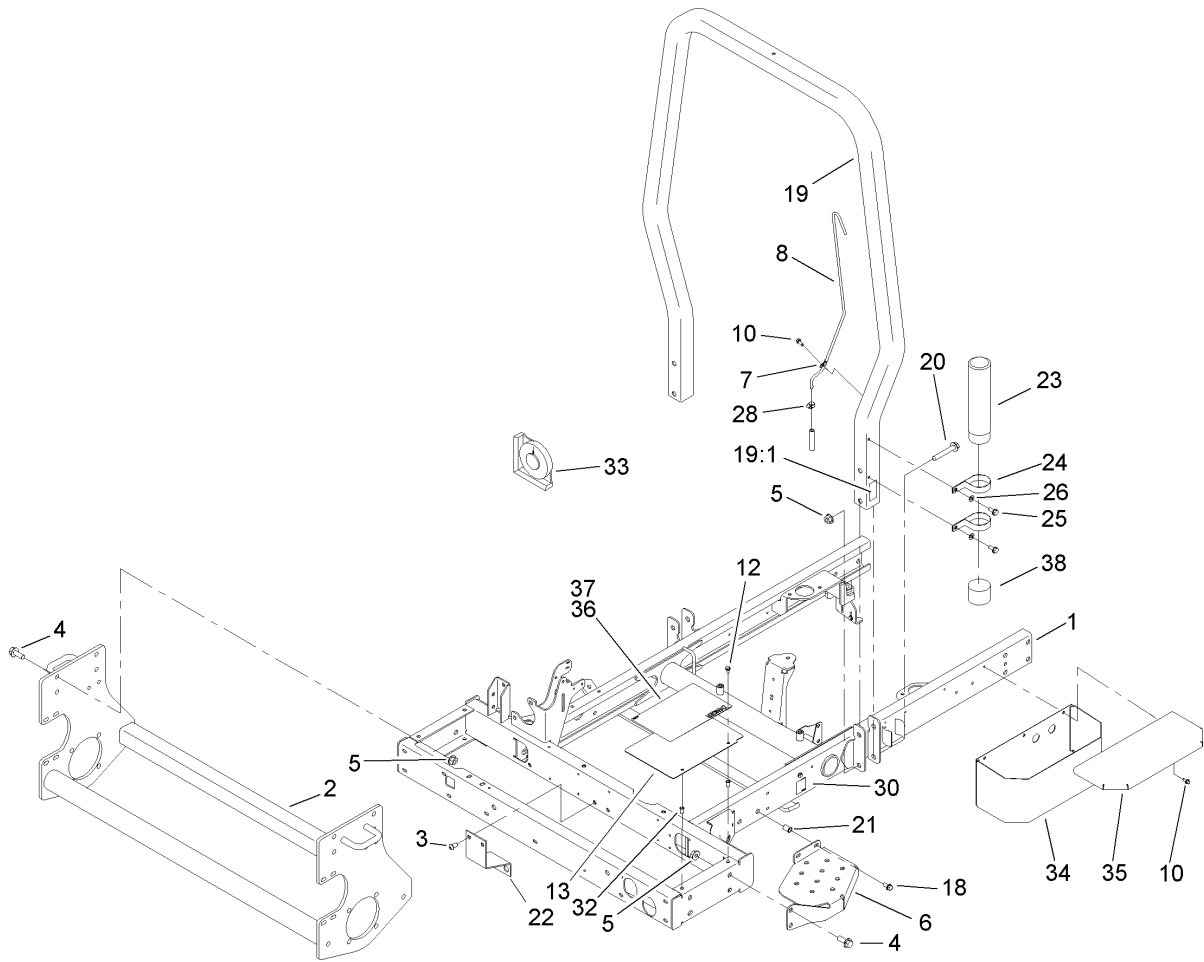
Part descriptions in this catalog may include the following abbreviations.

AR. ....	as required	HYD. ....	hydraulic
ASM. ....	assembly	LH. ....	left hand
BBC. ....	blade brake clutch	NI. ....	nylon insert
CARR. ....	carriage	NPTF. ....	national pipe thread fine
DEG. ....	degrees	PFH. ....	phillips flat head
EXT. ....	external	PPH. ....	phillips pan head
FH. ....	flat head	PPHTF. ....	phillips pan head thread forming
GA. ....	gauge	PRH. ....	phillips round head
HD. ....	heavy-duty	PTH. ....	phillips truss head
HF. ....	hex flange	PTO. ....	power-take-off
HH. ....	hex head	RH. ....	right hand
HHF. ....	hex head flange	ROPS. ....	roll-over protection system
HHFTF. ....	hex head flange thread forming	SFH. ....	slotted fillister head
HJ. ....	hex jam	SHH. ....	slotted hex head
HLH. ....	hex lag head	SHWH. ....	slotted hex washer head
HOC. ....	height-of-cut	SPH. ....	slotted pan head
HSBH. ....	hex socket button head	SQH. ....	square head
HSFH. ....	hex socket flat head	SRH. ....	slotted round head
HSH. ....	hex socket head	STD. ....	standard
HWH. ....	hex washer head	TAP. ....	self tapping
HWHTF. ....	hex washer head thread forming	TTH. ....	torx truss head

## Footnotes

❶ Not illustrated

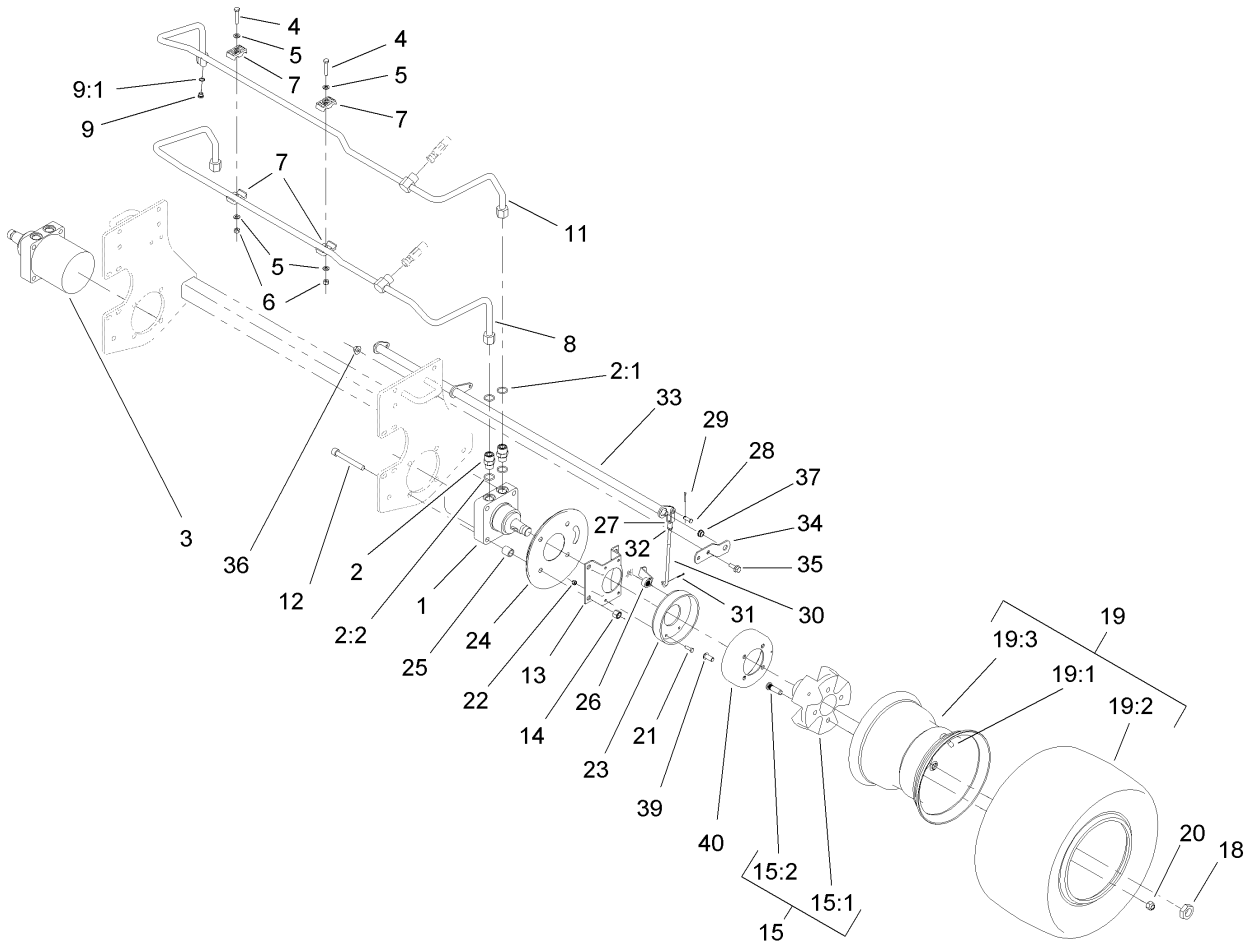
❷ Not serviced separately



### Frame Assembly

Ref	Part No.	Qty.	Description
1	99-3610-03	1	Frame ASM
2	95-8568-03	1	Frame-Lower
3	3274-80	2	Screw-HH
4	3234-38	8	Screw-HHF
5	32128-49	12	Nut-HHF
6	99-3375-03	1	Step
7	2412-72	3	Clip-Closed, Insulated
8	95-8615	1	Tube-Breather
10	32144-10	6	Screw-HWH
12	3234-4	2	Screw-HHF
13	104-0468-01	1	Cover-Frame
18	3234-5	2	Screw-HHF
19	107-7833	1	ROPS ASM
19:1	107-7831	1	Decal-ROPS
20	3234-40	4	Screw-HF
21	32148-8	2	Insert-Threaded
22	95-8598-03	1	Bracket-Bulkhead, Scissor
23	104-7050	1	Housing-Manual
24	2412-133	2	R-Clamp
25	32144-70	2	Screw-HWHTF
26	3256-23	2	Washer-Flat
28	2412-108	1	Clamp-Worm
30	105-4674	1	Decal-Noise
32	32148-6	2	Insert-Nut

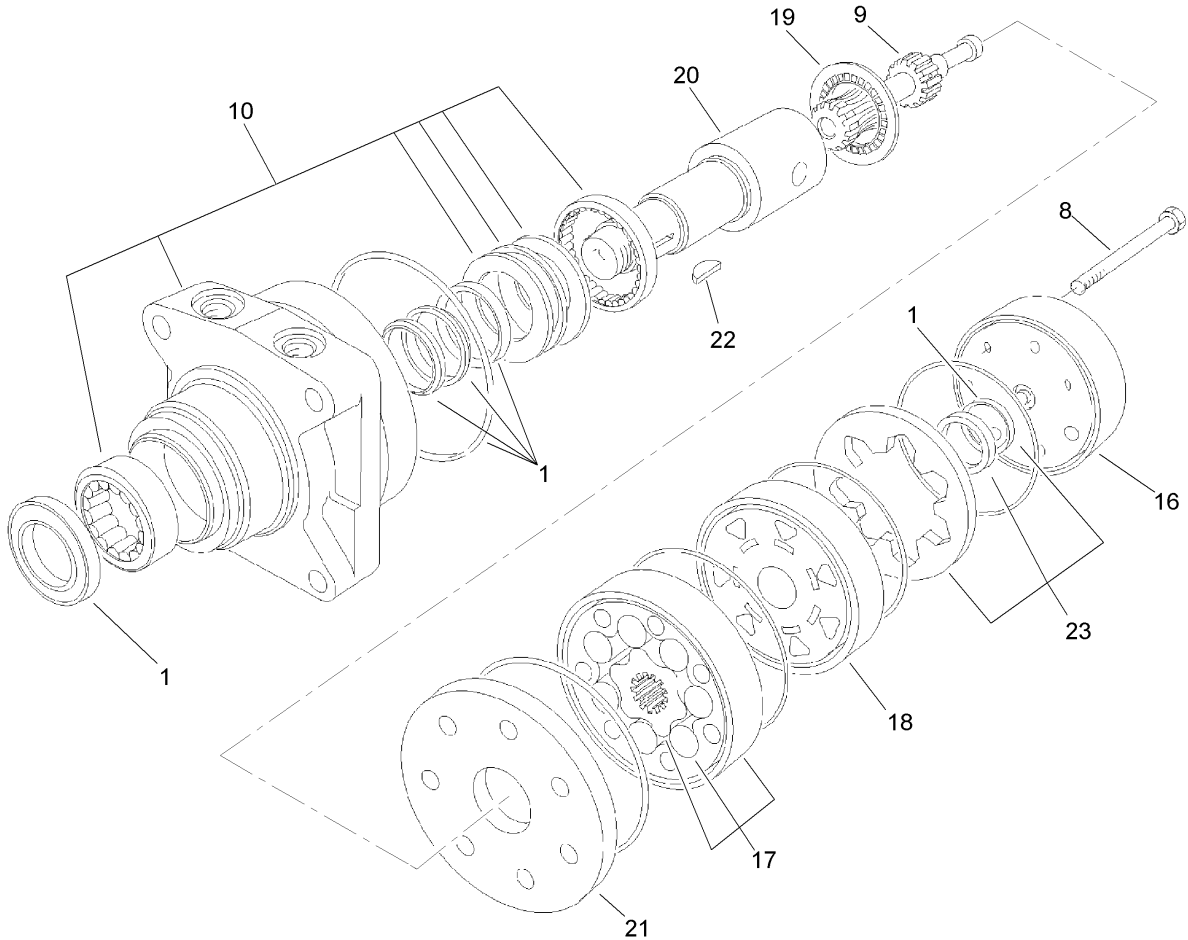
Ref	Part No.	Qty.	Description
33	99-3503	1	Indicator-Angle
34	104-4634-03	1	Toolbox ASM
35	104-4633-03	1	Toolbox Cover ASM
36	104-0484	1	Decal-Danger
37	104-5181	1	Decal-Danger, Ce
38	104-7048	1	Cap-Housing



## Front Wheel and Brake Assembly

Ref	Part No.	Qty.	Description
1	75-9990	1	HYD Motor ASM
2	340-7	4	Adapter
2:1	237-65	1	O-Ring
2:2	237-80	1	O-Ring
3	95-8693	1	HYD Motor ASM
4	322-9	2	Screw-HH
5	3256-23	4	Washer-Flat
6	3296-29	2	Nut-Lock, NI
7	56-7971	4	Clamp-Tube
8	95-8783	1	Tube ASM
9	353-990	1	Plug
9:1	237-78	1	O-Ring
11	95-8784	1	Tube ASM
12	3274-99	8	Screw-HSH
13	84-2000-03	2	Bracket-Brake
14	3296-23	8	Nut-Lock, NI
15		2	Wheel Hub / Stud ASM
15:1	104-0462-03	1	Hub-Wheel
15:2	10-6830	4	Stud-Type, Drive
18	26-3790	2	Nut-Lock
19		2	Tire And Wheel ASM
19:1	232-27	1	Stem-Valve
19:2	104-0451	1	Tire-Turf, Trac
19:3	104-0452	1	Rim-Wheel

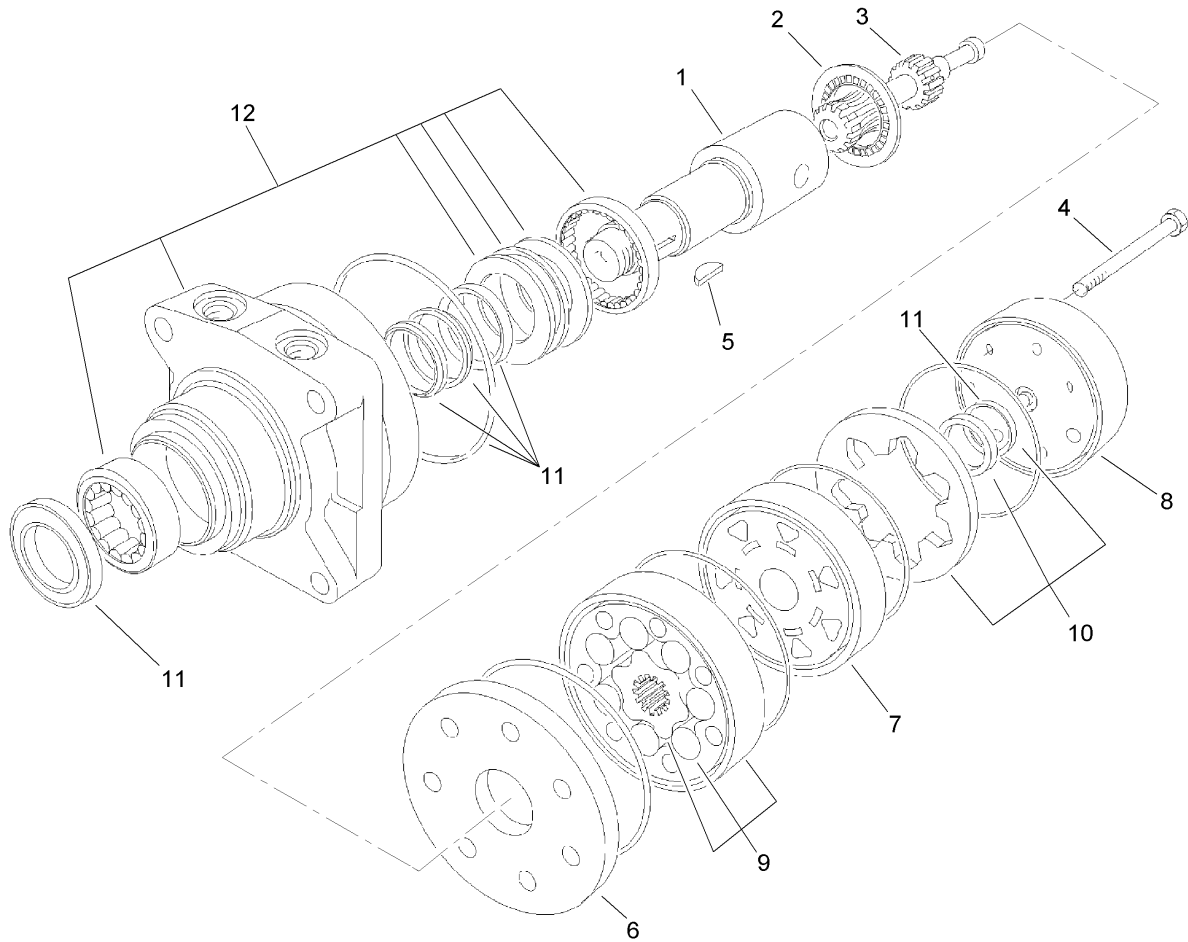
Ref	Part No.	Qty.	Description
20	242-50	8	Nut-Lug
21	321-5	8	Screw-HH
22	3296-42	8	Nut-Lock, NI
23	104-7705	2	Brake ASM
24	104-0485-03	2	Shield-Wheel
25	92-1715	8	Spacer
26	93-6850	2	Lever-Brake
27	282-2	2	Yoke
28	283-1	2	Pin-Clevis
29	3272-10	2	Pin-Cotter
30	104-4627	2	Rod-Adjusting
31	3272-6	2	Pin-Cotter
32	3220-2	2	Nut-Jam
33	104-4625-03	1	Brake Pivot Shaft ASM
34	95-8683	2	Bracket-Pivot, Brake
35	3234-11	4	Screw-HHF
36	32128-43	4	Nut-Flange
37	256-156	2	Bushing-Flange
39	3274-105	8	Screw-HSBH
40	104-4809	2	Drum-Brake



### Hydraulic Motor Assembly No. 75-9990

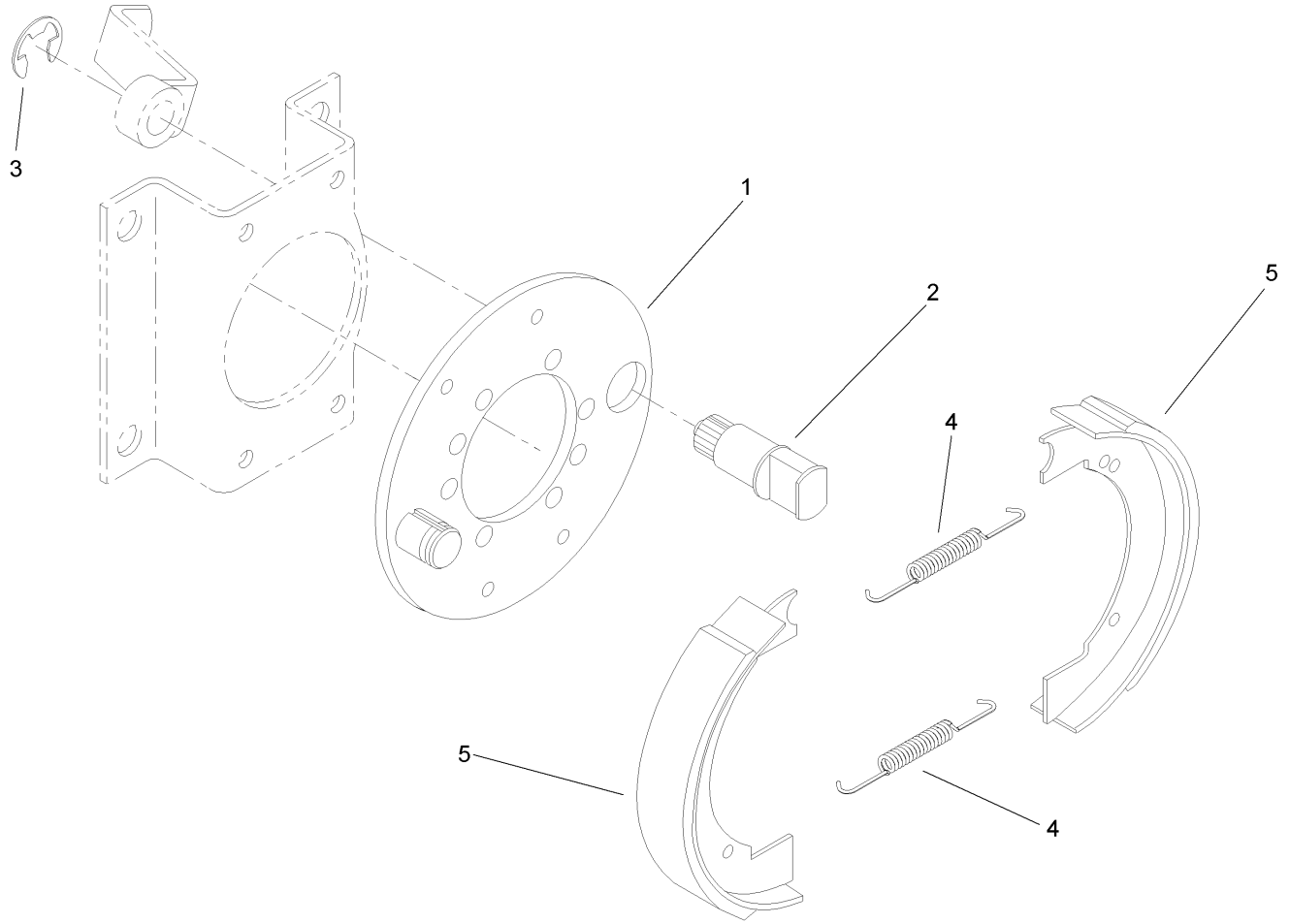
Ref	Part No.	Qty.	Description
1	76-0800	1	Seal Kit
8	76-1010	7	Screw
9	76-0960	1	Link-Drive
10	76-0810	1	Housing ASM
16	76-0940	1	End Cover ASM
17	76-0970	1	Rotor Set
18	76-0840	1	Manifold
19	76-0850	1	Bearing-Thrust
20	76-0860	1	Shaft-Coupling
21	76-0870	1	Plate-Wear
22	3257-42	1	Key-Woodruff
23	76-0880	1	Commutator ASM

--	--	--	--



### Hydraulic Motor Assembly No. 95-8693

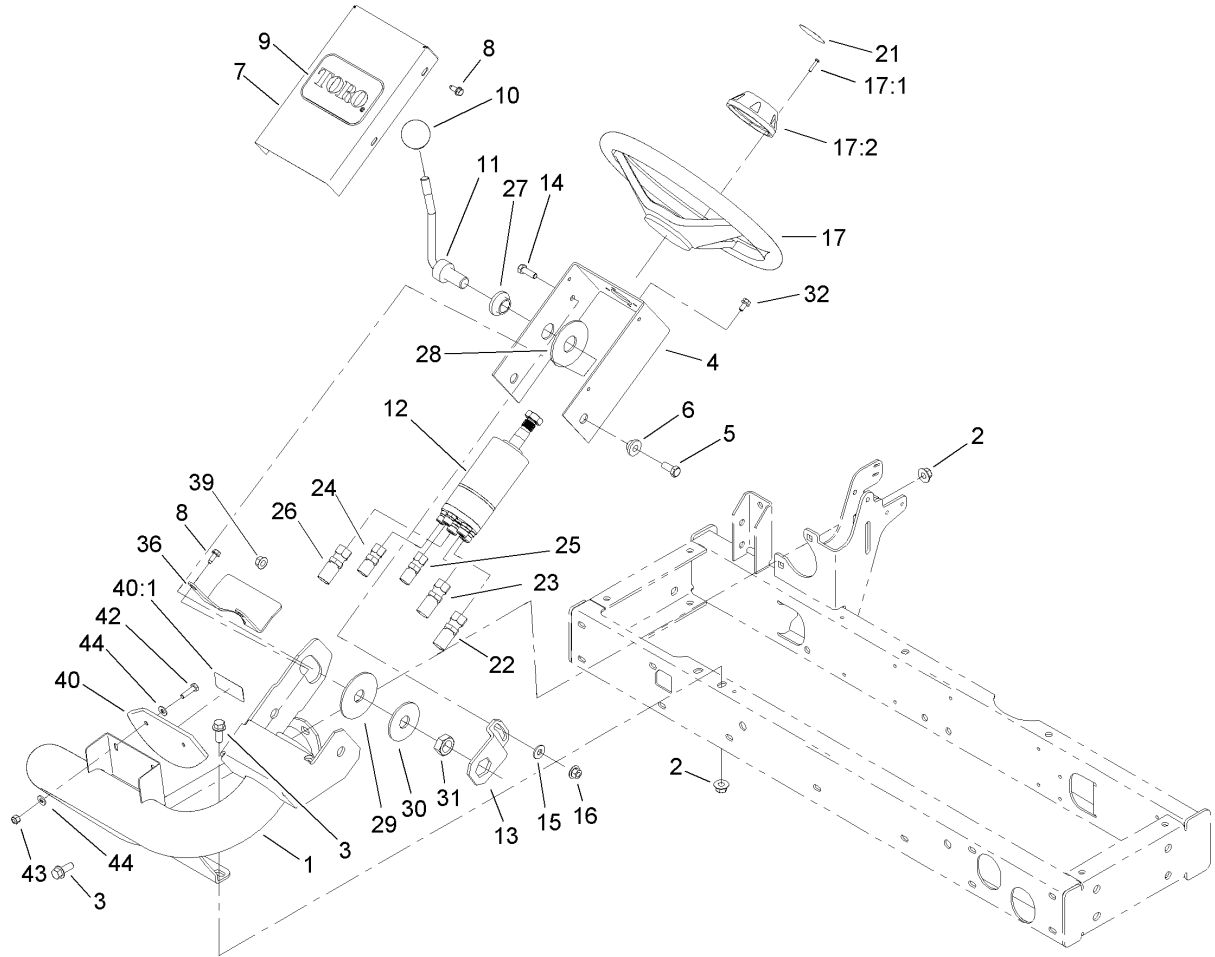
Ref	Part No.	Qty.	Description
1	76-0860	1	Shaft-Coupling
2	76-0850	1	Bearing-Thrust
3	76-0960	1	Link-Drive
4	76-1010	7	Screw
5	3257-42	1	Key-Woodruff
6	76-0870	1	Plate-Wear
7	99-3535	1	Manifold
8	76-0940	1	End Cover ASM
9	76-0970	1	Rotor Set
10	76-0880	1	Commutator ASM
11	76-0800	1	Seal Kit
12	76-0810	1	Housing ASM



### Brake Assembly No. 104-7705

Ref	Part No.	Qty.	Description
1	70-9870	1	Plate-Backing
2	104-7707	1	Shaft-Cam, Brake
3	104-7706	1	E-Ring, Bowed
4	70-9880	2	Spring-Return
5	70-9840	2	Shoe-Brake

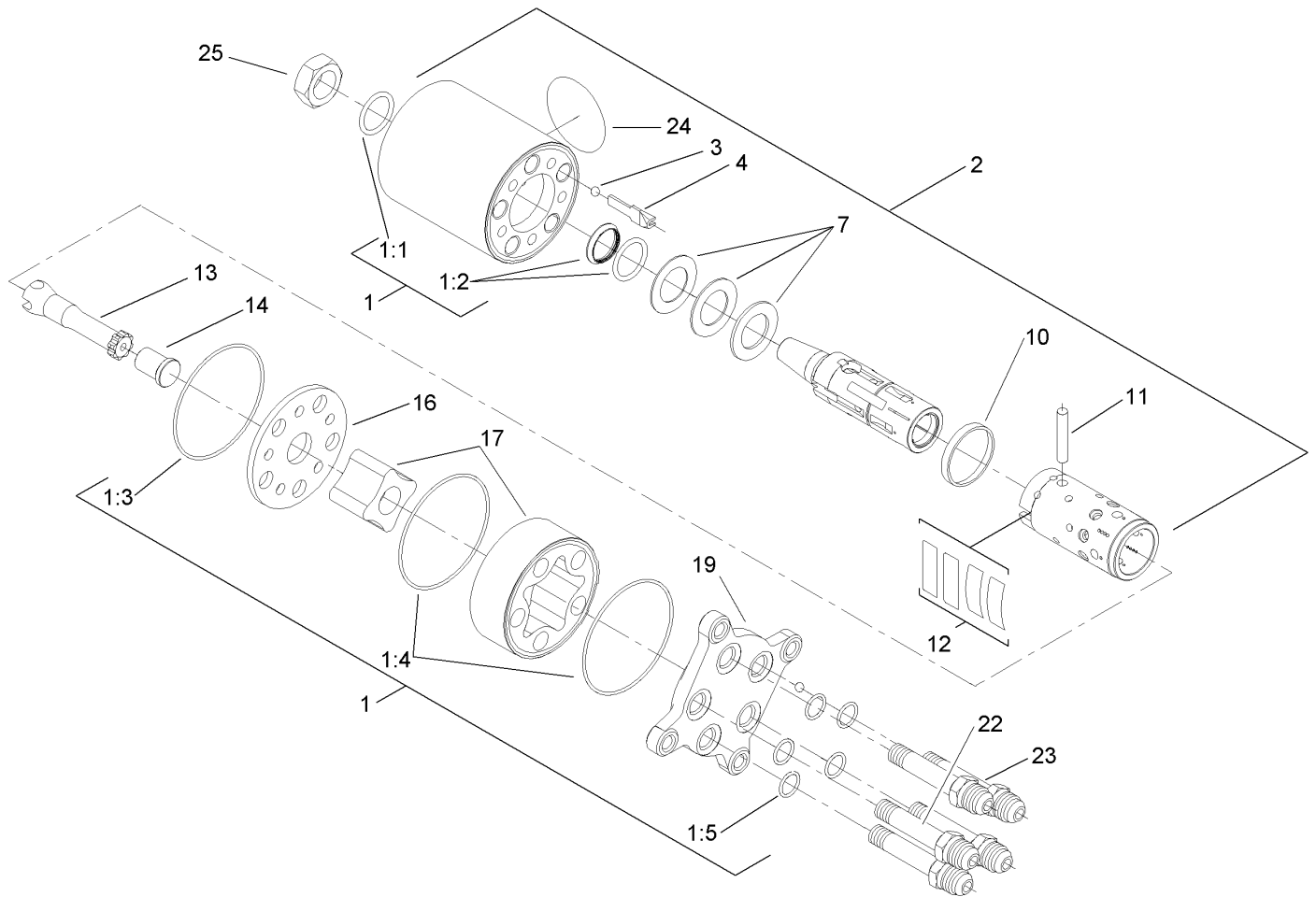
Ref	Part No.	Qty.	Description



## Steering Column Assembly

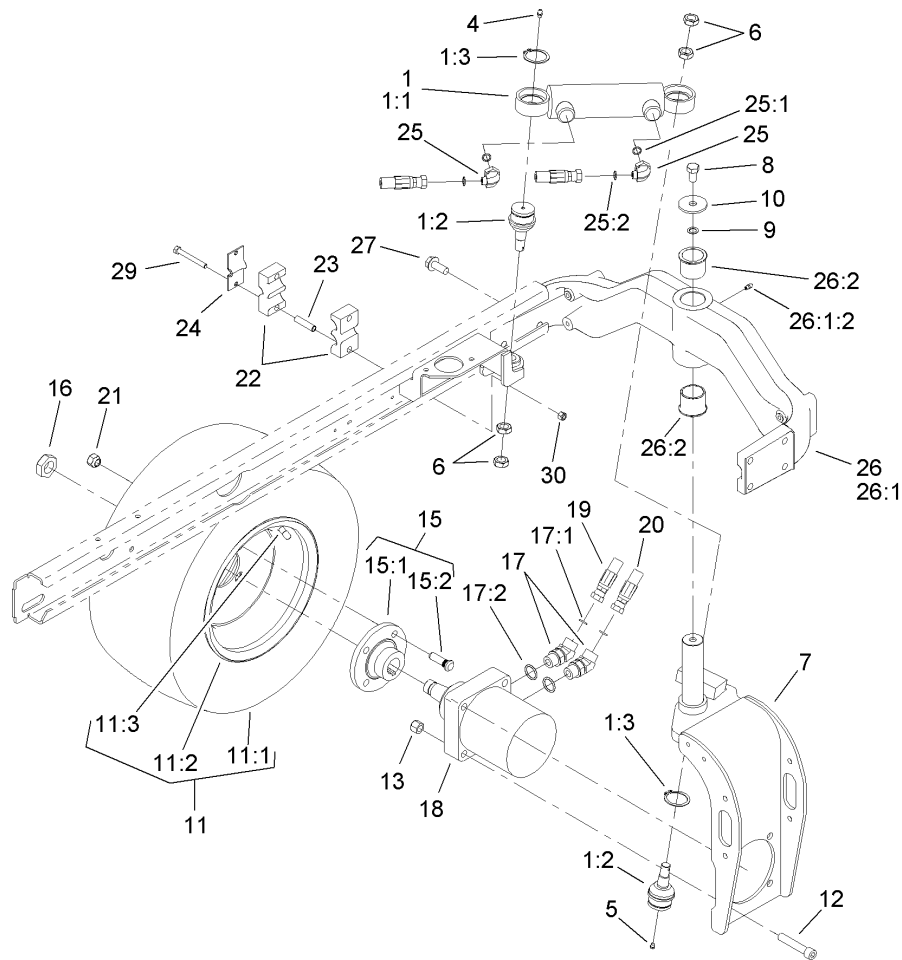
Ref	Part No.	Qty.	Description
1	105-8536-01	1	Arm-Steering
2	32128-43	4	Nut-Flange
3	3234-11	4	Screw-HHF
4	104-5185-01	1	Bracket-Valve, Steering
5	323-5	2	Screw-HH
6	93-5988	2	Hub-Pivot
7	95-8794-01	1	Cover-Valve, Steering
8	32144-10	5	Screw-HWH
9	67-1300	1	Decal
10	233-48	1	Knob
11	95-8798-03	1	Lever-Steering
12	104-5180	1	Valve-Steering
13	80-2880	1	Bracket-Tilt
14	322-5	1	Screw-HH
15	3256-3	1	Washer-Flat
16	32128-44	1	Nut
17	75-0560	1	Wheel-Steering
17:1	32144-21	1	Screw
17:2	68-5140	1	Cap-Wheel, Steering
21	68-5370	1	Decal
22	95-8842	1	Hose ASM
23	95-8843	1	Hose ASM
24	100-4892	1	Hose ASM
25	100-4893	1	Hose ASM

Ref	Part No.	Qty.	Description
26	95-8846	1	Hose ASM
27	99-3502	1	Boss
28	31-0390	1	Disc-Friction
29	82-9010	1	Disc-Friction
30	80-2930	1	Washer-Flat
31	3218-7	1	Nut-Jam
32	33103-012	4	Screw-HHF
36	99-3405-01	1	Shield-Steering
39	32128-21	2	Nut-HF
40	100-4929	1	Slope Indicator ASM
40:1	107-7801	1	Decal-Danger, Ce
40:1	100-4837	1	Decal-Danger
42	321-7	2	Screw-HH
43	3296-42	2	Nut-Lock, NI
44	3256-22	4	Washer-Flat



## Steering Valve Assembly No. 104-5180

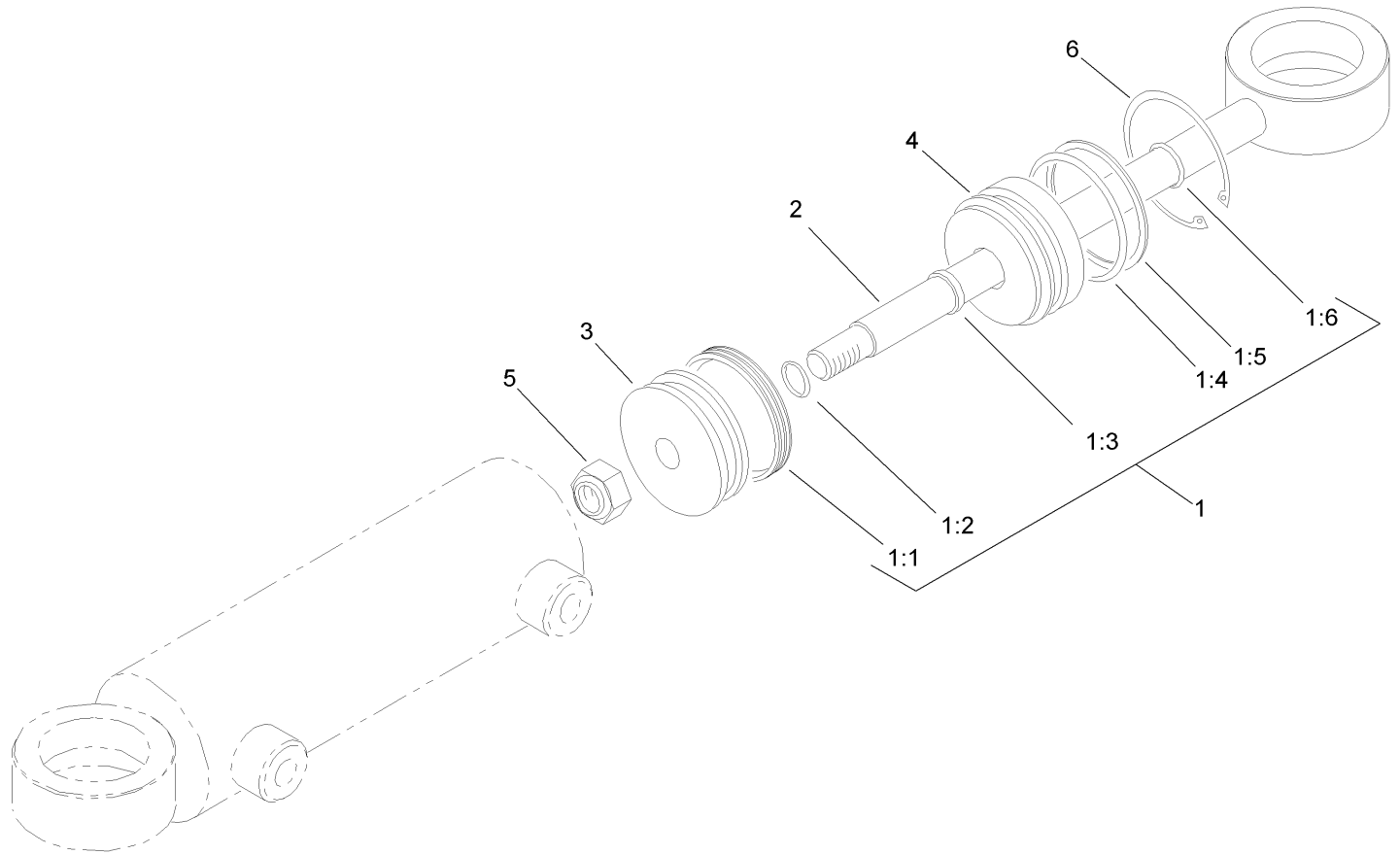
Ref	Part No.	Qty.	Description
1	106-6716	1	Seal Kit
②1:1		1	Ring-Seal, Dust
②1:2		1	Seal-Shaft
②1:3		1	Seal-Dust
②1:4		2	Seal-Dust
②1:5		5	Seal-Dust
②2		1	Housing
②3		1	Ball
②4		1	Stop-Ball
②7		1	Bearing ASM
②10		1	Ring
②11		1	Pin-Cross
②12		1	Springs
②13		1	Shaft
②14		1	Spacer
②16		1	Plate-Distributor
②17		1	Gearwheel Set
②19		1	Cover-End
②22		1	Screw-Special
②23		4	Screw-Special
②24		1	Plate-Name
25	3220-6	1	Nut-Jam

## Rear Fork and Tire Assembly

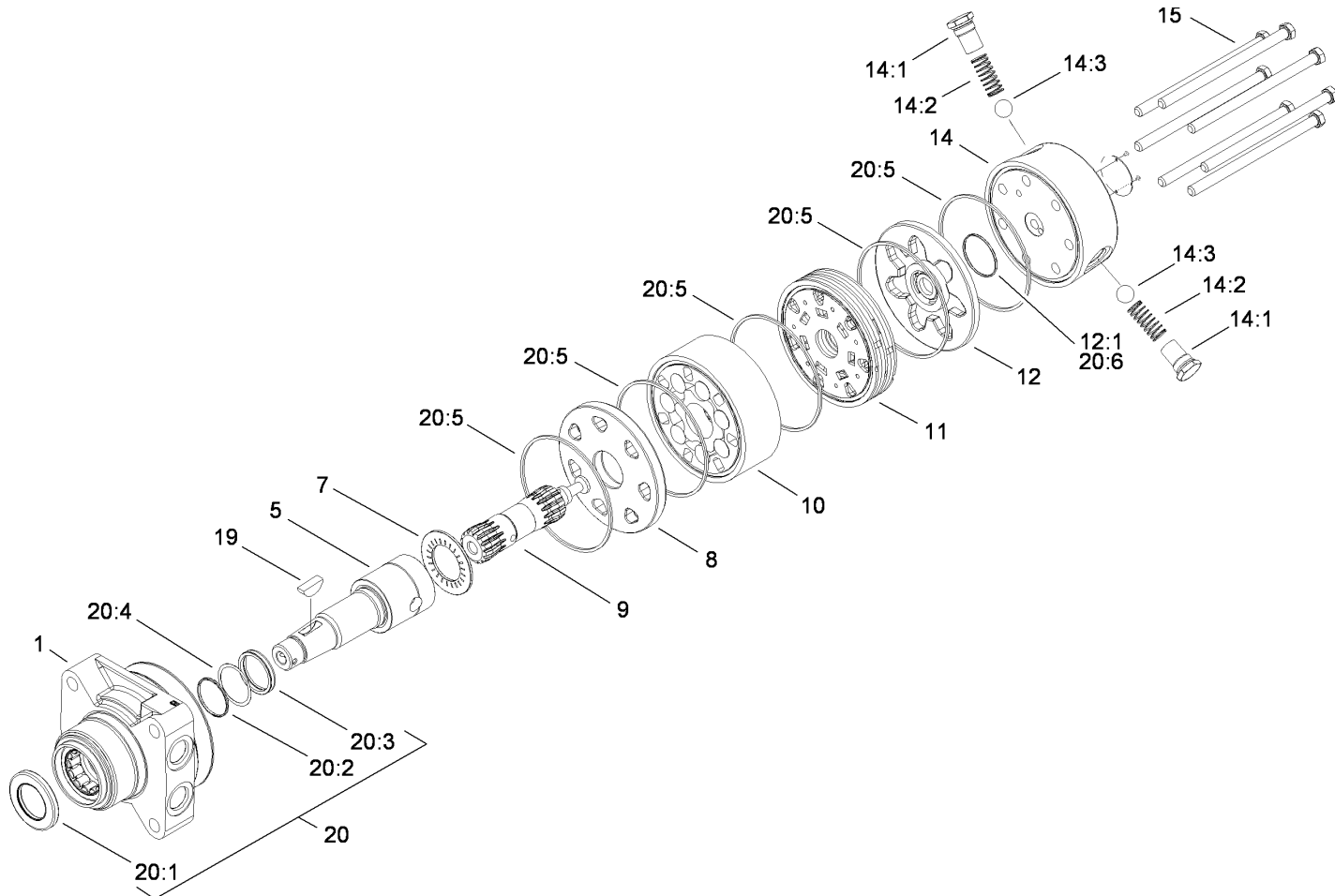
Ref	Part No.	Qty.	Description
②1		1	Steering Cylinder / Balljoint ASM
1:1	94-8141	1	HYD Cylinder ASM
1:2	106-6774	2	Joint-Ball
1:3	32151-104	2	Ring-Retaining, External
4	302-5	1	Fitting-Grease
5	302-59	1	Plug-Threaded
6	3220-6	4	Nut-Jam
7	95-8905-01	1	Fork-Rear
8	325-3	1	Screw-HH
9	3255-2	1	Washer-Lock / EXT
10	75-7730	1	Washer-Thrust
②11		1	Tire And Wheel ASM
11:1	95-8656	1	Tire-4-Ply Turf-Trac (20X10-10)
11:2	95-8657	1	Rim-Wheel
11:3	232-27	1	Stem-Valve
12	3274-93	4	Screw-HSH
13	3296-23	4	Nut-Lock, NI
②15		1	Wheel Hub / Stud ASM
15:1	10-6870-03	1	Hub-Wheel
15:2	10-6830	4	Stud-Type, Drive
16	26-3790	1	Nut-Lock
17	340-14	2	Fitting-HYD, 45 DEG
17:1	237-65	1	O-Ring
17:2	237-80	1	O-Ring

Ref	Part No.	Qty.	Description
18	95-8694	1	HYD Motor ASM
19	105-1213	1	Hose ASM
20	105-1212	1	Hose ASM
21	242-50	4	Nut-Lug
22	82-8170	2	Clamp
23	93-7960	2	Spacer
24	93-7961	1	Clamp-Drain, Case
25	340-132	2	Fitting-HYD, 90 DEG
25:1	237-78	1	O-Ring
25:2	237-21	1	O-Ring
26	107-7828	1	Rear Casting ASM
②26:1		1	Casting-Rear
26:1:2	302-5	1	Fitting-Grease
26:2	95-8805	2	Bushing
27	3234-38	8	Screw-HHF
29	322-13	2	Screw-HH
30	3296-29	2	Nut-Lock, NI



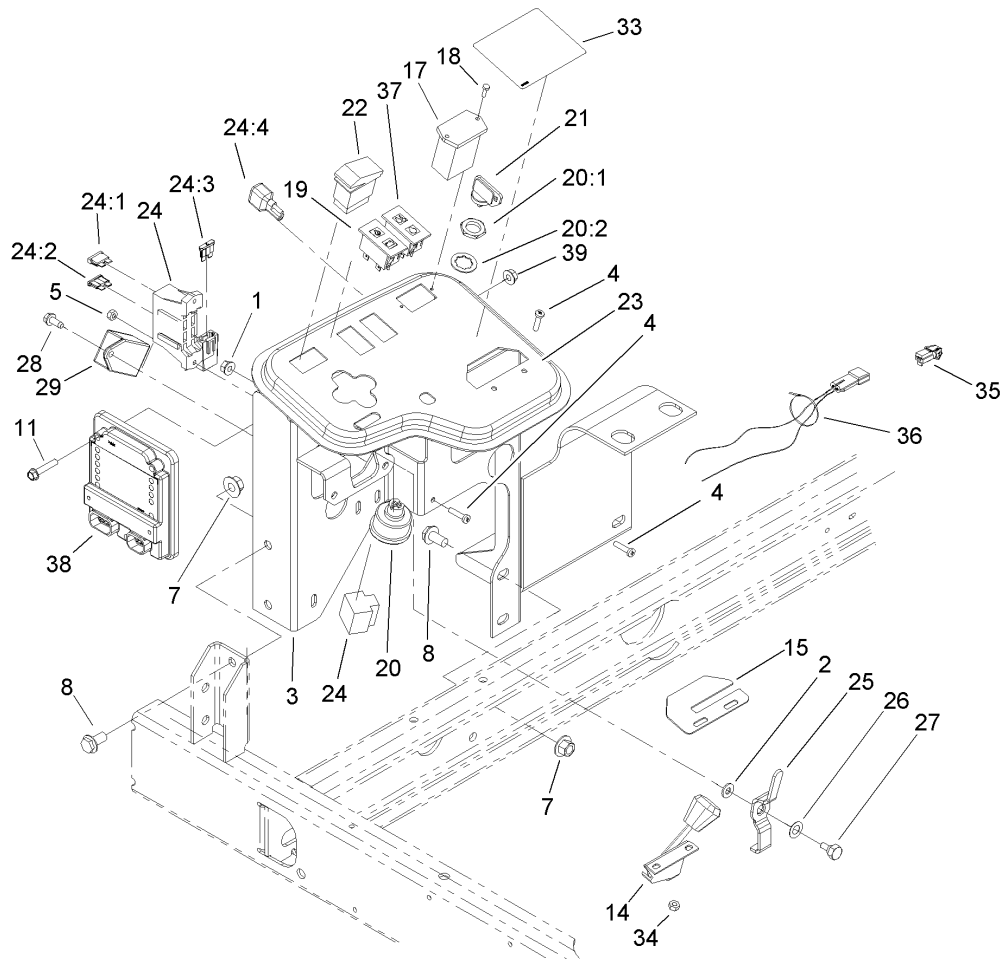
## Hydraulic Cylinder Assembly No. 94-8141

Ref	Part No.	Qty.	Description
1	86-5390	1	Seal Kit
②1:1		1	Uniring
②1:2		1	Seal-Dust
②1:3		1	Seal-Rod
②1:4		1	Seal-Dust
②1:5		1	Ring-Backup
②1:6		1	Seal-Dust
②2		1	Rod
②3		1	Piston
②4		1	Gland
②5		1	Nut-Lock
②6		1	Ring-Retaining



## Hydraulic Motor Assembly No. 95-8694

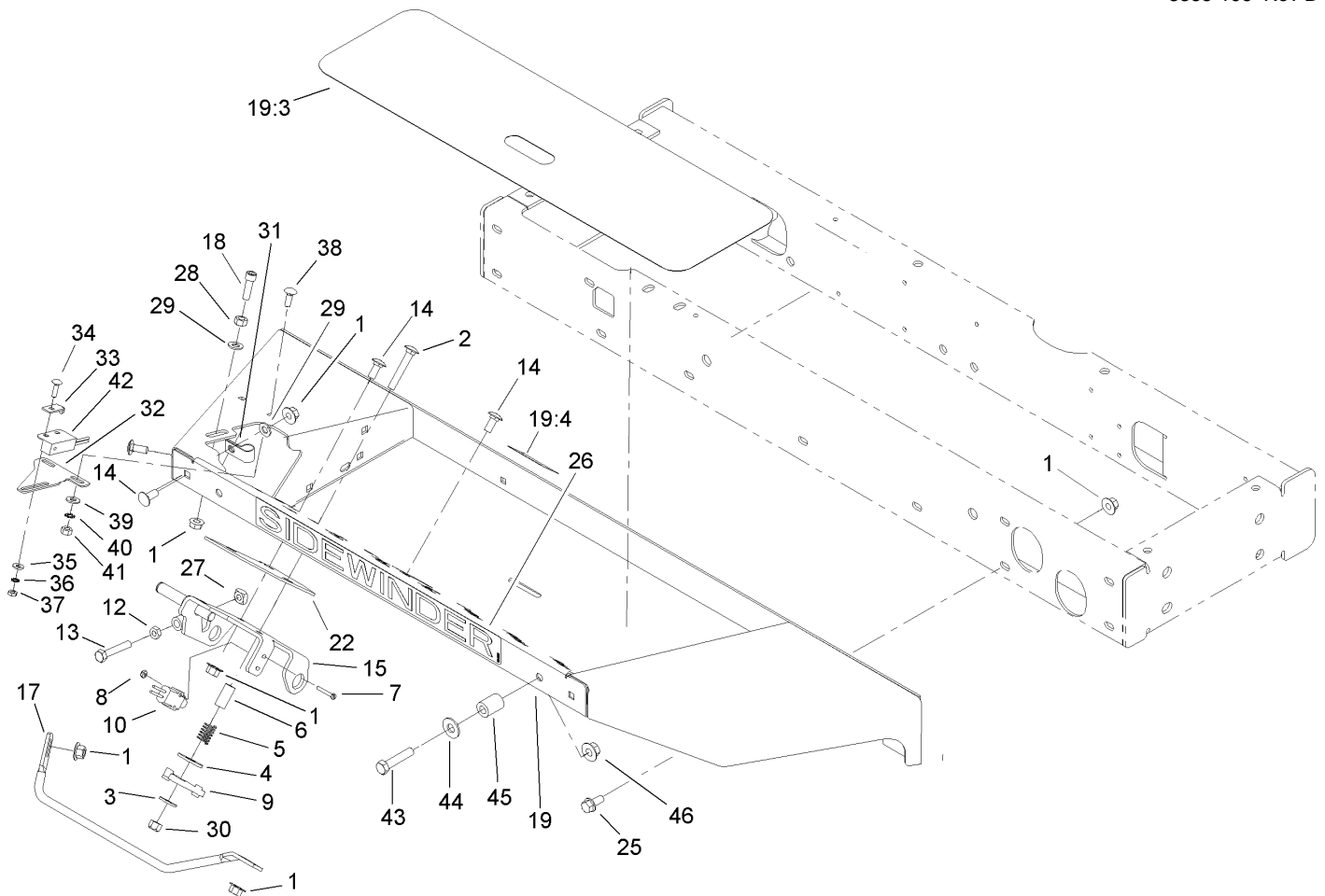
Ref	Part No.	Qty.	Description
1	76-0810	1	Housing ASM
5	99-3090	1	Shaft-Coupling
7	76-0850	1	Bearing-Thrust
8	76-0870	1	Plate-Wear
9	99-3537	1	Link-Drive
10	99-3539	1	Set-Rotor
11	99-3535	1	Manifold
12	76-0880	1	Commutator ASM
②12:1		1	Seal-Commutator
14	99-3538	1	End Cover ASM
②14:1		1	Spring Cap And O-Ring ASM
14:2	99-3541	1	Spring
14:3	99-3540	1	Ball
15	99-3536	7	Screw-HH
19	3257-42	1	Key-Woodruff
20	94-8178	1	Seal Kit
②20:1		1	Seal-Dirt And Water
②20:2		1	Backup-Ring
②20:3		1	Seal-Shaft
②20:4		1	Washer-Back Up
②20:5		5	Seal-Square, Ring (Inner)
②20:6		1	Seal-Commutator



## Control Panel Assembly

Ref	Part No.	Qty.	Description
1	32128-32	1	Nut-HHF
2	3256-22	1	Washer-Flat
3	104-5190-03	1	Panel-Control
4	32105-13	4	Screw-HWH
5	3296-2	2	Nut-Lock
7	32128-43	5	Nut-Flange
8	3234-1	5	Screw-HHF
11	321-8	3	Screw-HH
14	110-8750	1	Cable-Throttle
15	104-0421	1	Plate-Stop, Throttle
17	75-6820	1	Hourmeter
18	32144-18	2	Screw-HH
19	100-8070	1	Lamp-Warning
20	104-2541	1	Switch ASM
20:1	218-461	1	Nut-HH
20:2	3254-5	1	Washer-Tooth
21	63-8360	2	Key-Ignition
22	95-8999	1	Switch
23	104-5191	1	Decal-Console
24	110-8774	1	Harness-Wire
24:1	109355	1	Fuse-15 Amp
24:2	218-578	2	Fuse-10 Amp
24:3	94-6710	1	Fuse-Blade, 2 Amp
24:4	100-4918	1	Diode

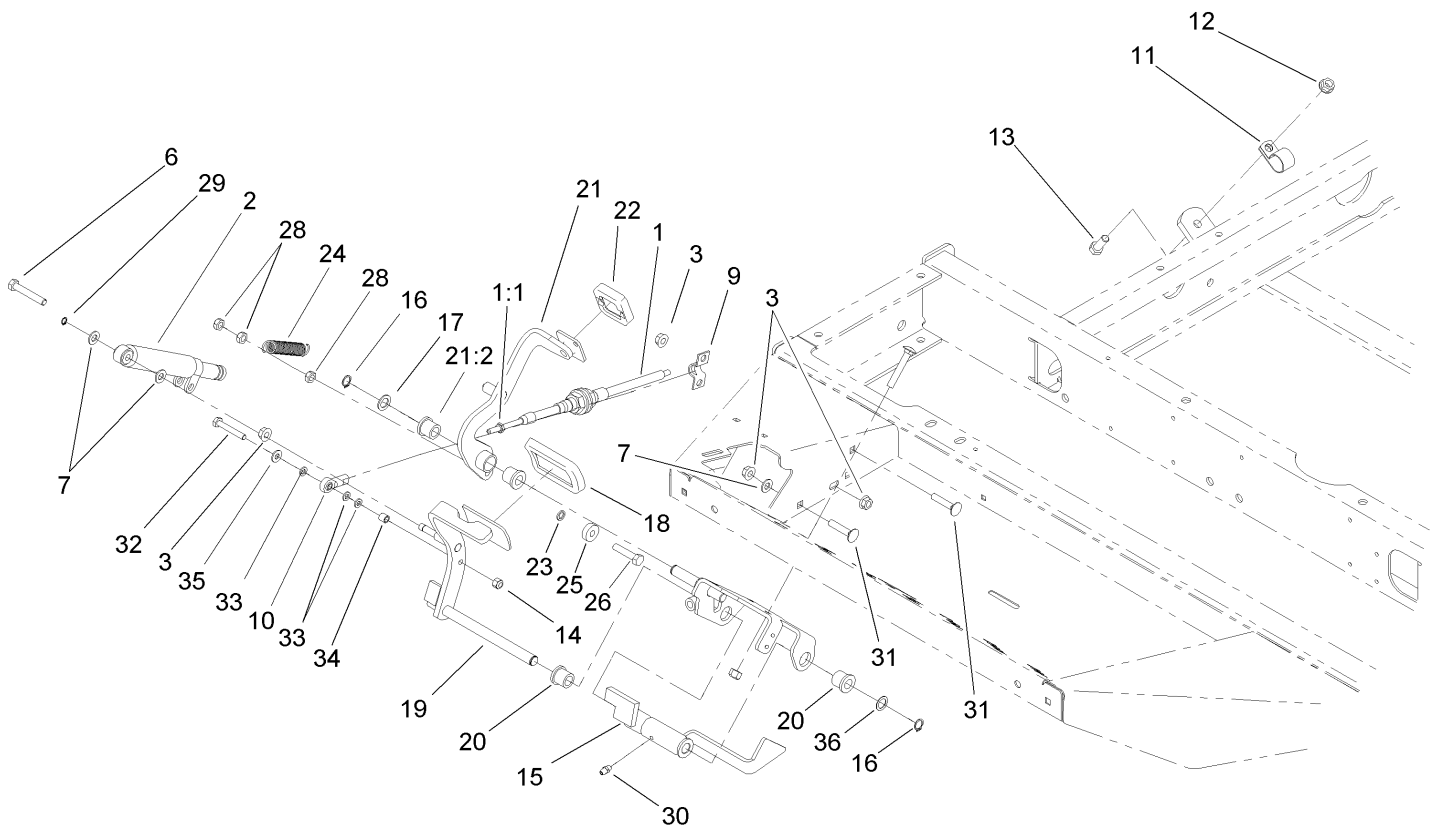
Ref	Part No.	Qty.	Description
25	99-3401-03	1	Lever-Valve, Lock
26	3290-477	1	Washer-Curved
27	63-3410	1	Screw-Shoulder
28	32144-10	1	Screw-HWH
29	98-7611	1	Controller-Glow
33	99-3558	1	Decal-Console, Ce
34	3290-148	2	Nut-HF
35	104-4875	1	Harness-Wire, Jumper
36	3290-379	1	Tie-Cable
37	100-8071	1	Lamp-Warning
38	106-9277	1	Module-Control, Standard
39	32128-33	3	Nut-HF



## Front Platform Assembly

Ref	Part No.	Qty.	Description
1	32128-20	18	Nut-HF
2	3230-6	1	Screw-CARR
3	3256-3	1	Washer-Flat
4	3256-40	1	Washer-Flat
5	65-9940	1	Spring
6	95-8866	1	Tube-Arm, Rocker
7	32105-9	2	Screw
8	3296-9	2	Nut-Lock
9	99-3593	1	Arm-Rocker
10	95-8900	1	Switch
12	3218-2	1	Nut-Jam
13	322-41	1	Screw-HH
14	3230-23	7	Screw-CARR
15	95-8869-03	1	Bracket-Pedal, Traction
17	95-8893	1	Bar-Deflector
18	3274-22	1	Screw-HSH
19	106-4154	1	Floorplate ASM
19:3	99-3478	1	Tread-Foot
19:4	99-3444	1	Decal-Mow / Transport
22	106-2661-01	1	Plate-Support
25	3234-5	10	Screw-HHF
26	99-3388	1	Decal
27	99-3565	1	Nut-Square
28	3217-6	1	Nut-Hex

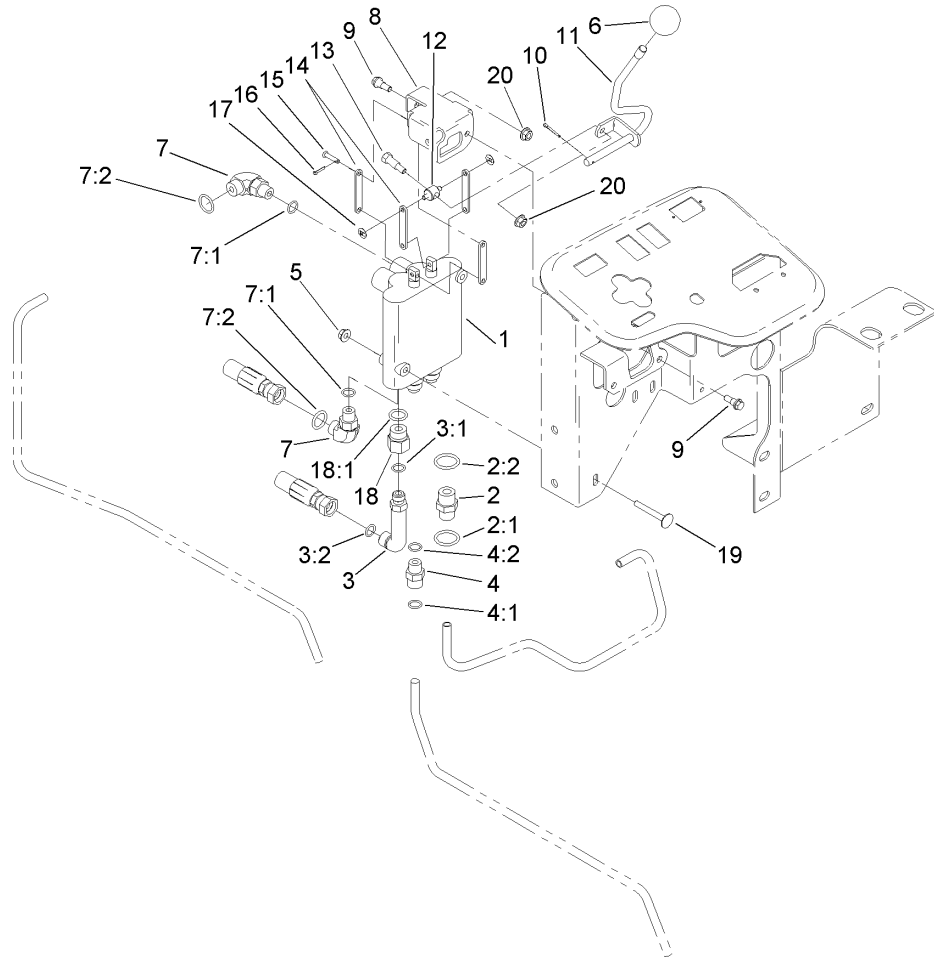
Ref	Part No.	Qty.	Description
29	3256-23	2	Washer-Flat
30	3296-29	1	Nut-Lock, NI
31	2412-103	1	Clamp
32	100-4871	1	Bracket-Switch, Neutral
33	100-4872	1	Plate-Switch, Neutral
34	3229-20	1	Screw-CARR
35	3256-14	1	Washer-Flat
36	3255-17	1	Washer-Lock, EXT
37	3296-2	1	Nut-Lock
38	3229-1	2	Screw-CARR
39	3256-22	2	Washer-Flat
40	3255-7	2	Washer-Lock/EXT
41	3217-5	2	Nut-Hex
42	100-1270	1	Switch-Proximity
43	323-9	2	Screw-HH
44	3256-4	2	Washer-Flat
45	104-4613	2	Tube-Latch
46	32128-43	2	Nut-Flange



## Traction Pedal Assembly

Ref	Part No.	Qty.	Description
1	100-4815	1	Cable-Control, Traction
1:1	3220-1	2	Nut-Jam
2	76-8870	1	Lever Damper ASM
3	32128-20	5	Nut-HF
6	322-10	1	Screw-HH
7	3256-23	3	Washer-Flat
9	93-2092	1	Clamp-Cable
10	2411-41	1	Joint-Ball
11	2412-41	1	Clamp
12	3290-357	1	Nut-HHF, Whiz
13	323-6	1	Screw-HH
14	3296-42	1	Nut-Lock, NI
15	95-8861	1	Slide
16	32151-84	2	Ring-Shaft, EXT
17	41-8440	1	Washer
18	74-9100	1	Pad-Pedal, Forward
19	104-4852-03	1	Traction Pedal ASM
20	256-243	2	Bearing-Flange
21	99-3379	1	Pedal-Reverse
21:2	256-243	2	Bearing-Flange
22	74-9110	1	Pad-Pedal, Reverse
23	75-5470	1	Spacer-Bearing
24	99-3476	1	Spring-Extension
25	251-259	1	Bearing-Ball

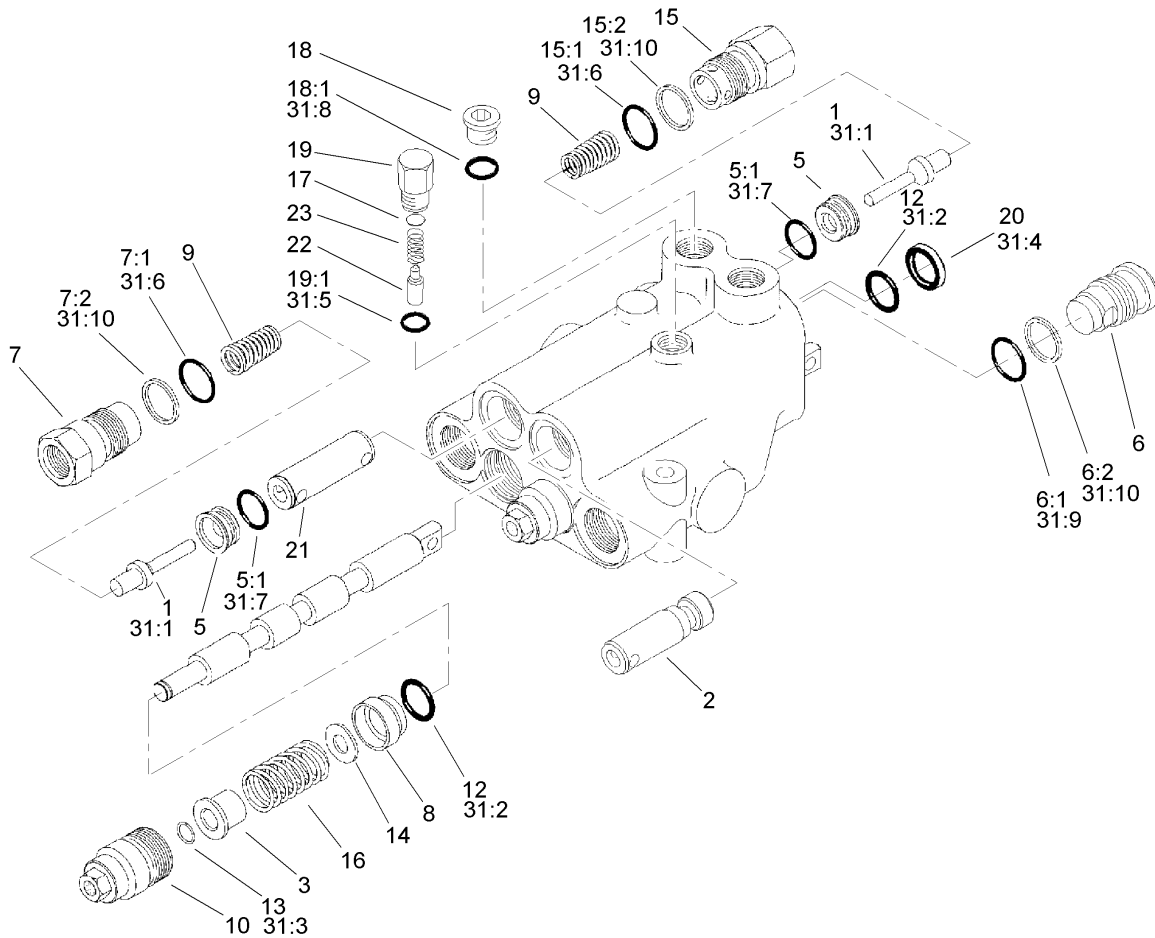
Ref	Part No.	Qty.	Description
26	322-7	1	Screw-HH
28	3296-47	3	Nut-Lock, NI
29	32151-3	1	Ring-Grip, EXT
30	302-5	1	Fitting-Grease
31	3230-27	1	Screw-CARR
32	321-10	1	Screw-HH
33	33093-00	3	Washer-Flat
34	99-3545	1	Spacer
35	3256-22	1	Washer-Flat
36	73-0040	4	Washer-Thrust



## Control Valve Installation Assembly

Ref	Part No.	Qty.	Description
1	95-8581	1	Valve-2 Spool
2	340-3	1	Adapter
2:1	237-22	1	O-Ring
2:2	237-79	1	O-Ring
3	69-4320	1	Fitting-HYD, 90 DEG
3:1	237-22	1	O-Ring
3:2	237-42	1	O-Ring
4	340-2	1	Fitting-HYD, Straight
4:1	237-22	1	O-Ring
4:2	237-42	1	O-Ring
5	32128-33	2	Nut-HF
6	233-42	1	Knob
7	340-77	2	Fitting-HYD, 90 DEG
7:1	237-22	1	O-Ring
7:2	237-42	1	O-Ring
8	95-8633	1	Bracket-Valve, Actuator
9	42-3560	2	Bolt-Shoulder
10	3272-6	1	Pin-Cotter
11	95-8635	1	Lever-Valve
12	95-8638	1	Trunnion-Valve, Actuator
13	92-8916	1	Bolt-Shoulder
14	95-8634	4	Link
15	58-3830	3	Pin-Clevis
16	3272-5	3	Pin-Cotter

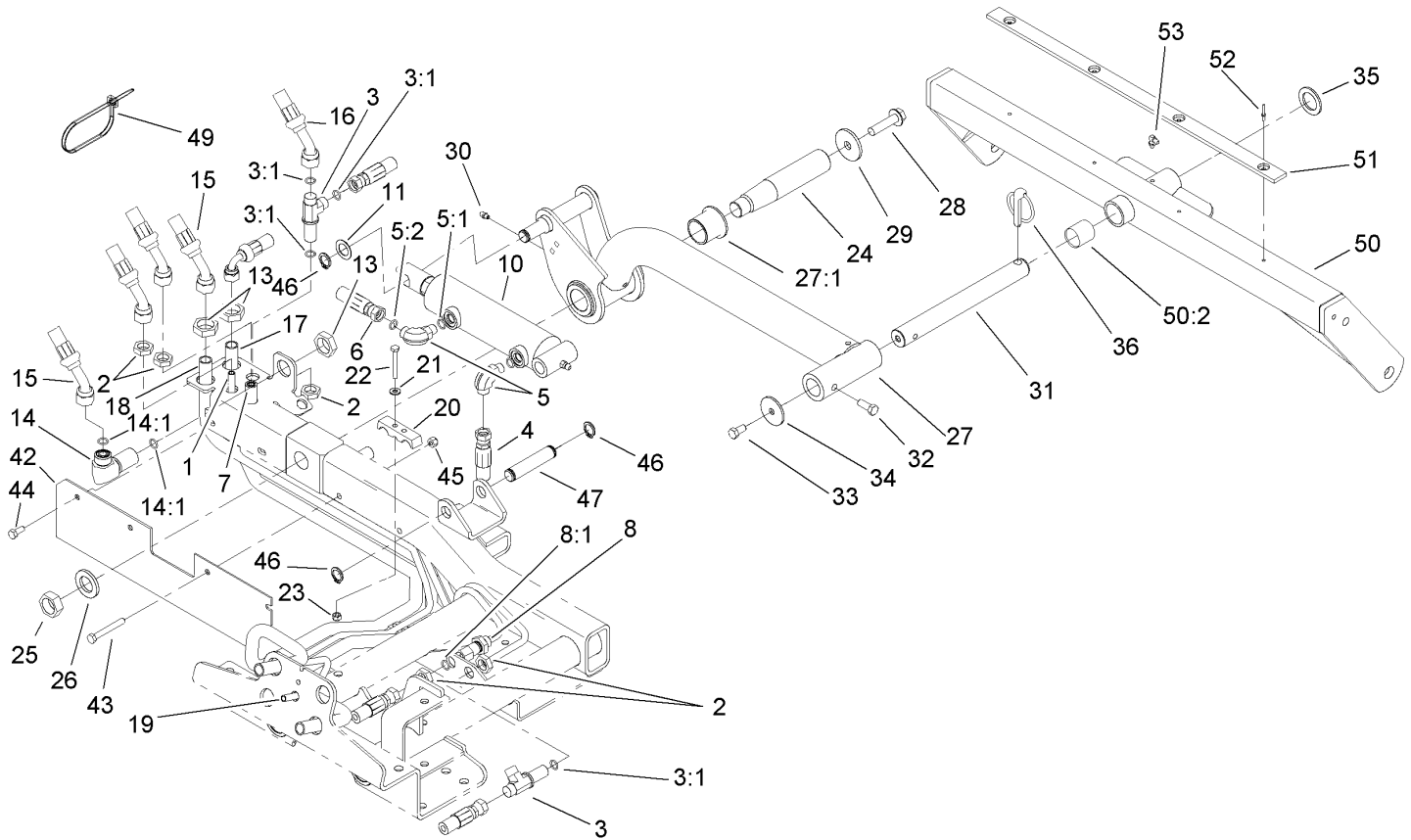
Ref	Part No.	Qty.	Description
17	93-3988	2	Pushnut-Tinnerman
18	353-397	1	Reducer-Adapter
18:1	237-79	1	O-Ring
19	3230-33	2	Screw-CARR
20	32128-32	3	Nut-HHF



### Valve Assembly No. 95-8581

Ref	Part No.	Qty.	Description
1	58-6290	3	Poppet
2	69-1840	1	Plunger
3	58-6310	2	Spacer
5	58-6330	3	Seat
5:1	58-6340	1	O-Ring
6	58-6350	1	Plug
6:1	60-5720	1	O-Ring
6:2	58-6370	1	Washer
7	69-1800	2	Plug ASM
7:1	60-5720	1	O-Ring
7:2	58-6370	1	Washer
8	58-6400	2	Bushing
9	69-1810	3	Spring
10	58-6420	2	Cap
12	58-6450	4	O-Ring
13	58-6460	2	Ring-Retaining
14	65-2770	2	Washer
15	99-3526	1	Plug ASM
15:1	60-5720	1	O-Ring
15:2	59-7730	1	Washer-Backup
16	99-3531	2	Spring
17	60-6450	1	Disc
18	353-989	1	Plug-Hex, Hollow
18:1	237-42	1	O-Ring

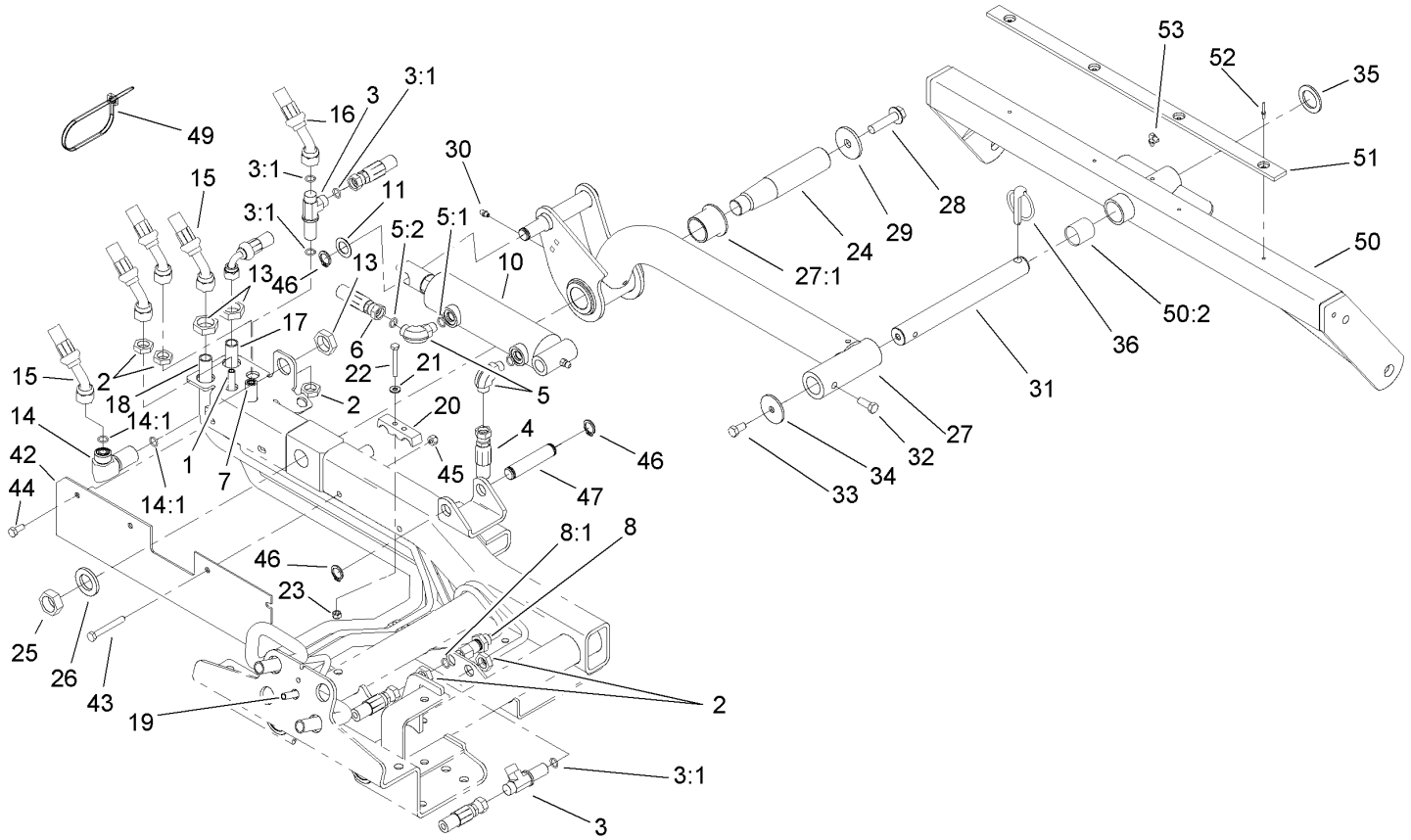
Ref	Part No.	Qty.	Description
19	58-6780	1	Plug
19:1	58-6790	1	O-Ring
20	58-6320	2	Wiper
21	99-3528	1	Plunger
22	58-6770	1	Plunger
23	58-6760	1	Spring
31	99-3530	1	Seal Kit
31:1	58-6290	3	Poppet
31:2	58-6450	4	O-Ring
31:3	58-6460	2	Ring-Retaining
31:4	58-6320	2	Wiper
31:5	58-6790	1	O-Ring
31:6	60-5720	2	O-Ring
31:7	58-6340	2	O-Ring
31:8	237-42	1	O-Ring
31:9	60-5720	2	O-Ring
31:10	59-7730	2	Washer-Backup



## Rear Lift Arm Assembly

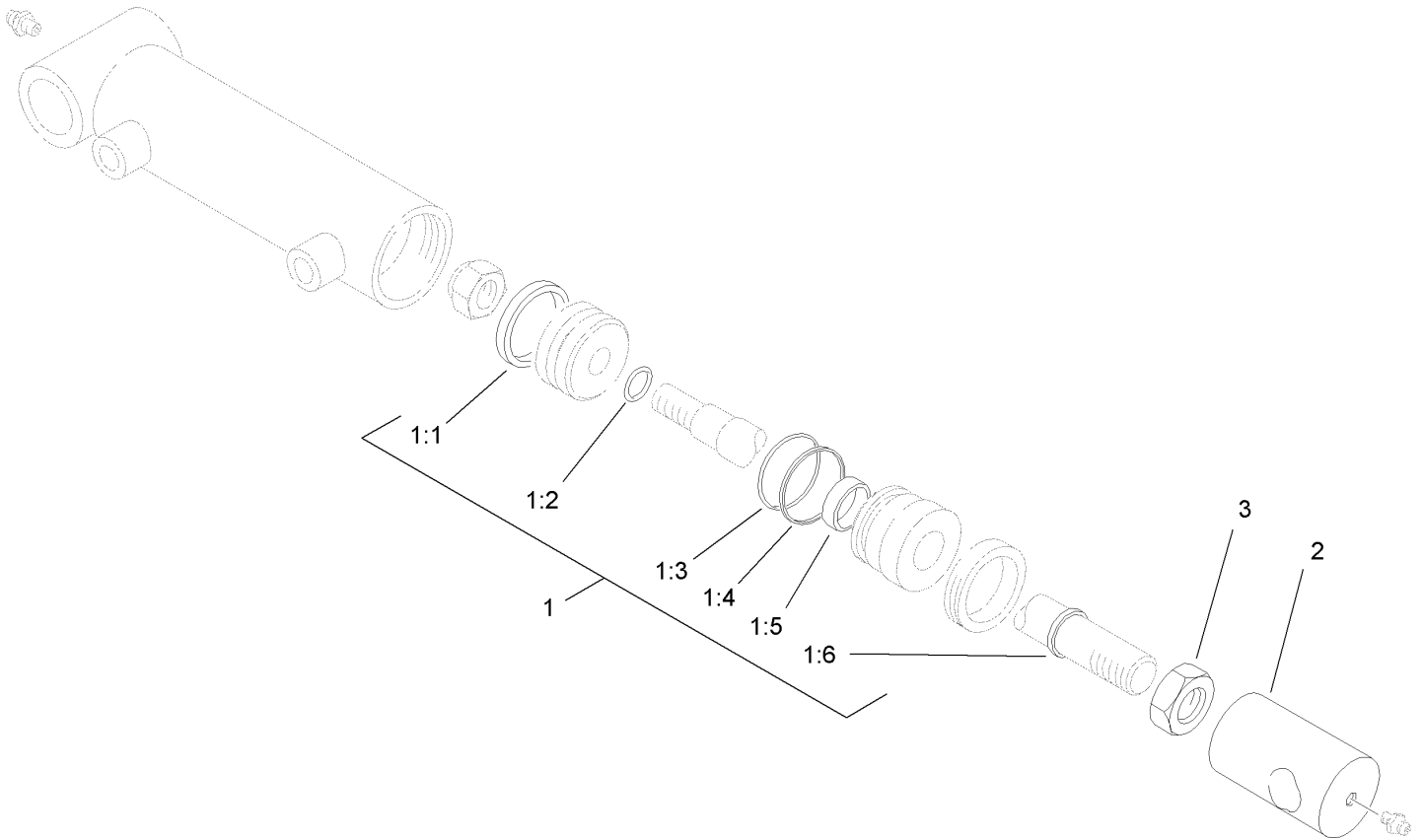
Ref	Part No.	Qty.	Description
1	104-0402	1	Tube ASM
2	340-70	5	Nut-Lock
3	340-68	2	Fitting-Tee, Bulkhead
3:1	237-22	3	O-Ring
4	104-0407	1	Hose ASM
5	340-77	2	Fitting-HYD, 90 DEG
5:1	237-22	1	O-Ring
5:2	237-42	1	O-Ring
6	100-4891	1	Hose ASM
7	104-0403	1	Tube ASM
8	340-71	1	Fitting-Straight, Bulkhead
8:1	237-22	2	O-Ring
10	108-9033	1	Cylinder-HYD
11	3-6498	1	Washer-Thrust
13	340-74	3	Locknut-Bulkhead
14	340-72	1	Fitting-Bulkhead, 90 DEG
14:1	237-65	2	O-Ring
15	100-4879	2	Hose ASM
16	95-8825	1	Hose ASM
17	104-0401	1	Tube ASM
18	104-0400	1	Tube ASM
19	104-0404	1	Tube ASM
20	99-3641	2	Clamp-Tube
21	3256-22	4	Washer-Flat

Ref	Part No.	Qty.	Description
22	321-11	2	Screw-HH
23	3296-42	2	Nut-Lock, NI
24	95-8990	1	Shaft-Pivot, Rear
25	3220-9	1	Nut-Jam
26	86-1480	1	Washer
27	100-4938	1	Rear Lift Arm ASM
27:1	69-6470	2	Bushing-Caster
28	3234-27	1	Screw-Flange
29	75-7730	1	Washer-Thrust
30	302-5	1	Fitting-Grease
31	100-4944	1	Shaft-Pivot, Cutting Unit
32	323-6	1	Screw-HH
33	323-4	1	Screw-HH
34	63-7400	1	Washer-Rebound
35	3-6781	1	Washer-Thrust
36	283-71	1	Pin-Lynch
42	104-0453-03	1	Guard
43	322-12	2	Screw-HH
44	322-3	2	Screw-HH
45	32128-20	4	Nut-HF
46	32120-93	3	Ring-Retaining, EXT
47	95-8575	1	Pin
49	3334-945	2	Tie-Cable
50	104-4229	1	Rear Carrier Frame ASM



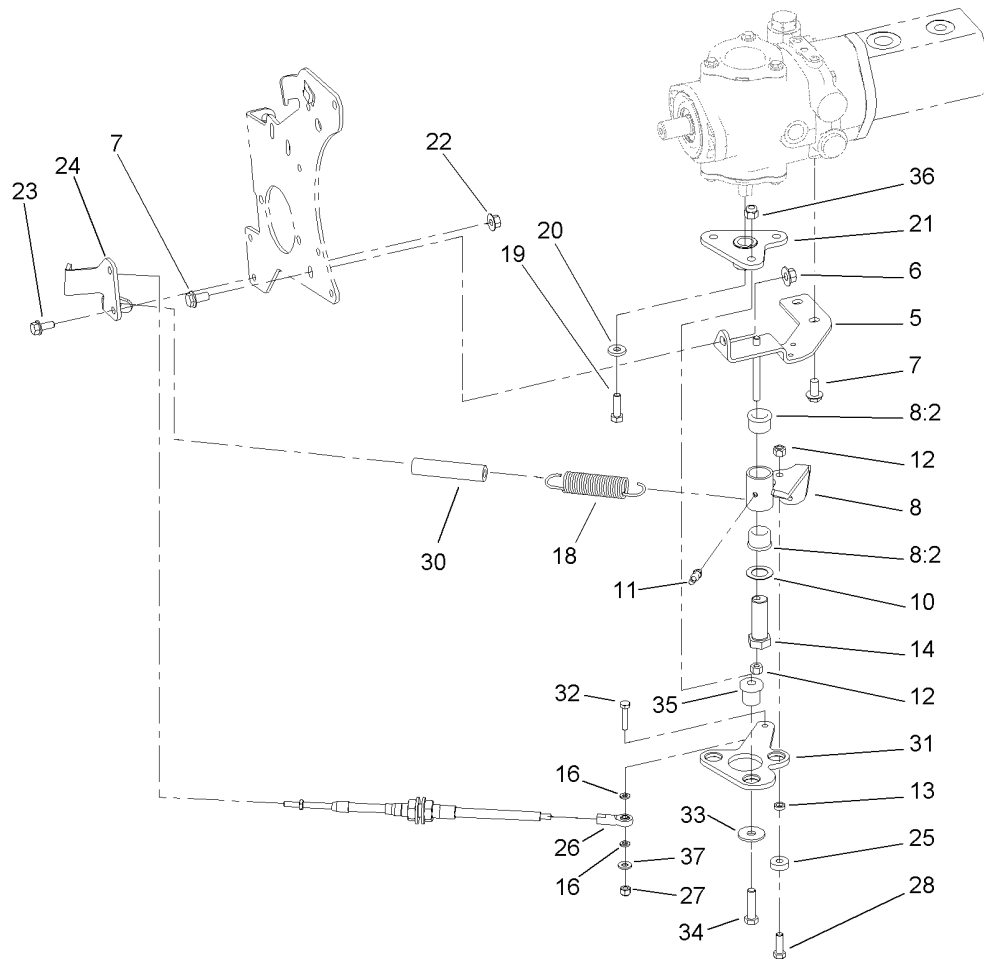
### Rear Lift Arm Assembly (continued)

Ref	Part No.	Qty.	Description
50:2	108-4000	2	Bushing
51	95-8936	1	Strip-Wear
52	3269-18	4	Rivet-Pop
53	302-60	1	Fitting-Grease, 90 DEG

### Hydraulic Cylinder Assembly No. 108-9033

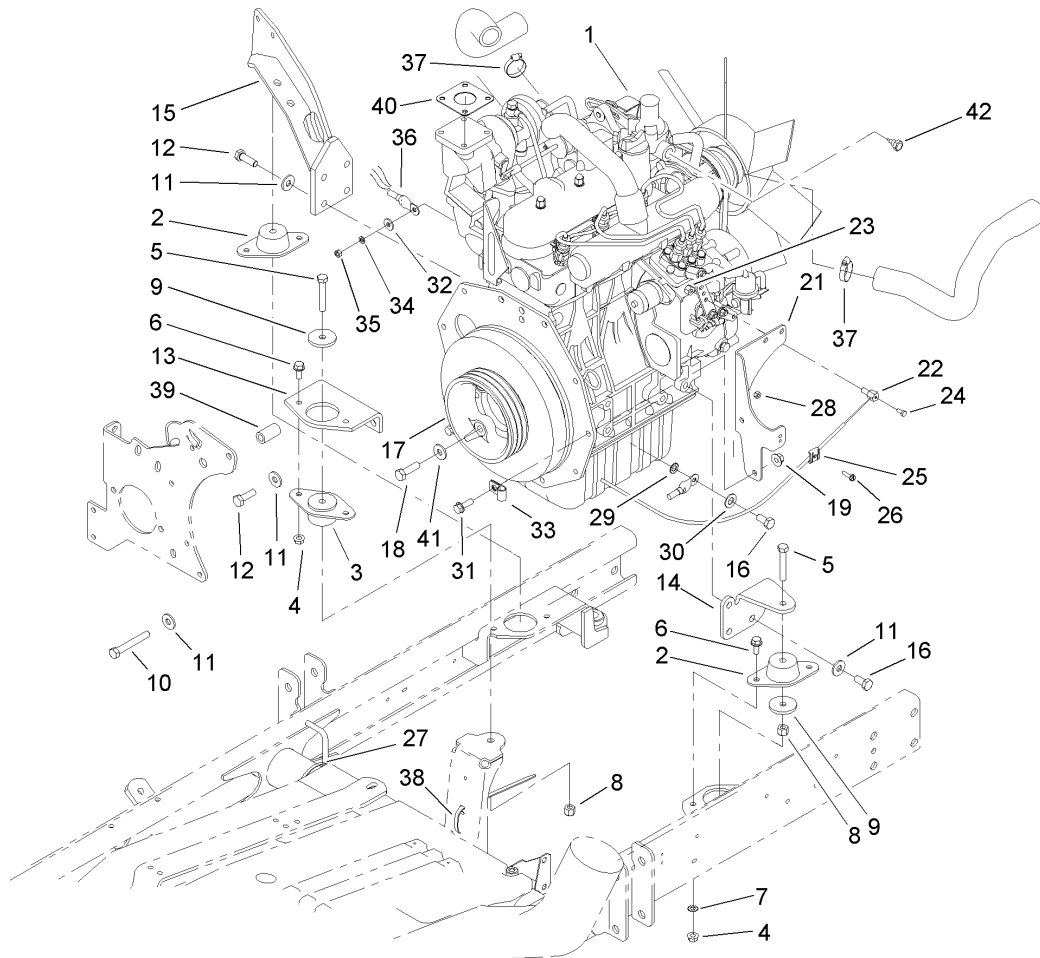
Ref	Part No.	Qty.	Description				
1	99-8163	1	Seal Kit				
②1:1		1	Uniring				
②1:2		1	Seal-Dust				
②1:3		1	Seal-Dust				
②1:4		1	Washer-Back-Up				
②1:5		1	Seal-Dust				
②1:6		1	Seal-Rod				
2	108-9035	1	Clevis				
3	3220-7	1	Nut-Jam				



## Neutral Arm Assembly

Ref	Part No.	Qty.	Description
5	95-8960-03	1	Bracket-Neutral
6	32128-43	1	Nut-Flange
7	3234-1	3	Screw-HHF
8	104-0422	1	Neutral Arm ASM
8:2	256-113	2	Bushing-Flange
10	3-6498	1	Washer-Thrust
11	302-60	1	Fitting-Grease, 90 DEG
12	3296-29	2	Nut-Lock, NI
13	100-4817	1	Spacer-Bearing
14	76-8640	1	Stud-Traction
16	33093-00	2	Washer-Flat
18	94-1369	1	Spring-Extension
19	3210-6	1	Screw-HH
20	88-7200	1	Washer-Flat
21	99-3598-03	1	Hub ASM
22	32128-44	2	Nut
23	3234-5	2	Screw-HHF
24	104-0464-03	1	Bracket-Support, Cable
25	251-259	1	Bearing-Ball
26	2411-41	1	Joint-Ball
27	3296-42	1	Nut-Lock, NI
28	3274-104	1	Screw-HSBH
30	99-3556	1	Hose
31	99-3594-03	1	Lever-Pump

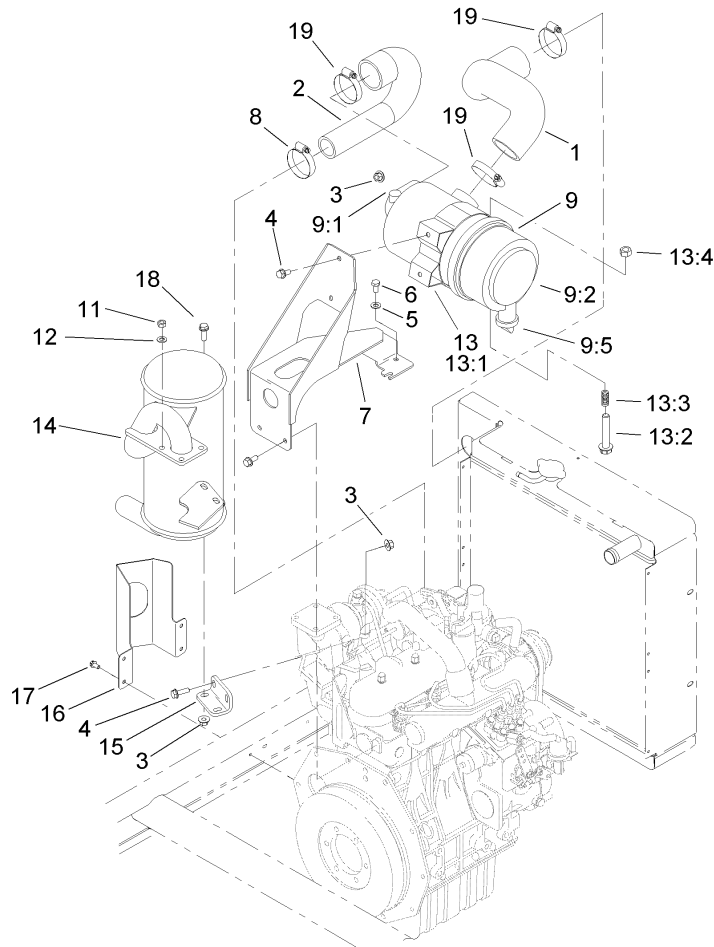
Ref	Part No.	Qty.	Description
32	321-8	1	Screw-HH
33	2844	3	Washer
34	95-3857	3	Screw-HSBH
35	63-9750	3	Mount
36	3296-39	3	Nut-Lock, NI
37	3256-22	1	Washer-Flat



## Engine Assembly

Ref	Part No.	Qty.	Description
1	107-7822	1	Engine-Diesel
2	83-1030	2	Mount-Engine
3	93-5265	1	Mount-Engine
4	32128-20	6	Nut-HF
5	323-11	3	Screw-HH
6	3234-5	6	Screw-HHF
7	3255-8	1	Washer-Lock
8	3296-39	3	Nut-Lock, NI
9	80-8560	3	Washer-Hardened
10	42-9370	1	Screw-HH
11	80-6990	9	Washer-Hardened
12	95-8812	5	Screw-HH
13	99-3618-03	1	Mount-Engine, Front
14	95-8937-03	1	Mount-Engine, LH
15	100-4838-03	1	Mount-Engine
16	63-7790	4	Screw-Cap
17	99-3626-03	1	Pulley
18	56-2140	3	Bolt
19	32128-44	2	Nut
21	100-4867-03	1	Support-Throttle, Filter
22	98-9311	1	Swivel-Throttle
23	3296-20	1	Nut-Lock, NI
24	25-8640	1	Screw-HH
25	81-1690	1	Clamp-Cable

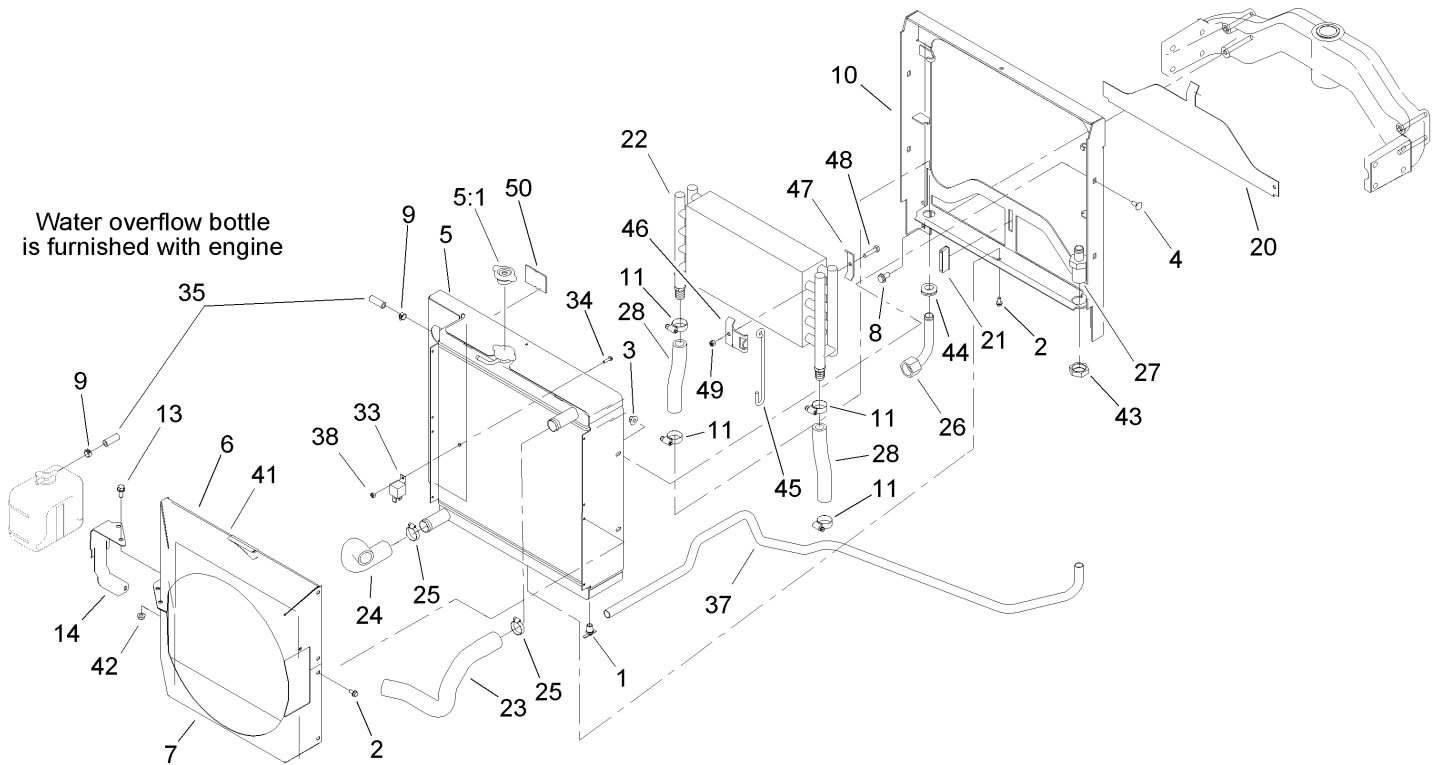
Ref	Part No.	Qty.	Description
26	32105-13	1	Screw-HWH
27	3290-379	2	Tie-Cable
28	3296-2	1	Nut-Lock
29	3255-9	1	Washer-Lock
30	3256-25	1	Washer-Flat
31	3234-17	2	Screw-HHF
32	3256-78	1	Washer-Flat
33	2412-10	1	R-Clamp
34	43-5930	1	Washer-Spring
35	48-7890	1	Nut
36	99-3441	1	Harness-Wire, Fusible Link
37	2412-34	2	Clamp-Hose
38	3290-378	14	Tie-Cable
39	95-8736	1	Spacer
40	98-9611	1	Gasket
41	3256-24	4	Washer-Flat
42	106-7772	1	Thermoswitch



## Air Cleaner and Muffler Assembly

Ref	Part No.	Qty.	Description
1	104-0420	1	Hose-Air Intake, Upper
2	99-3643	1	Hose-Air Intake, Lower
3	32128-44	6	Nut
4	3234-5	3	Screw-HHF
5	3256-23	4	Washer-Flat
6	33114-016	4	Screw-HH
7	99-3648-03	1	Air Filter Mount ASM
8	2412-92	1	Clamp-Hose
9	100-4824	1	Air Cleaner ASM
9:1	285-17	1	Plug-Pipe
9:2	104-0497	1	Cover ASM
9:5	104-0498	1	Valve-Vacuator
●9:6	108-3810	1	Filter-Air
●9:7	104-4897	1	Gasket
11	33014-00	4	Nut-Hex
12	3253-4	4	Washer-Lock
13	100-4825	1	Band-Mounting, Air Cleaner
●13:1		1	Clamp ASM
13:2	94-3653	1	Bolt
13:3	94-3654	1	Spring
13:4	48-9510	1	Nut
14	100-4810	1	Muffler
15	95-8943-03	1	Bracket-Muffler
16	99-3425-03	1	Guard-Exhaust

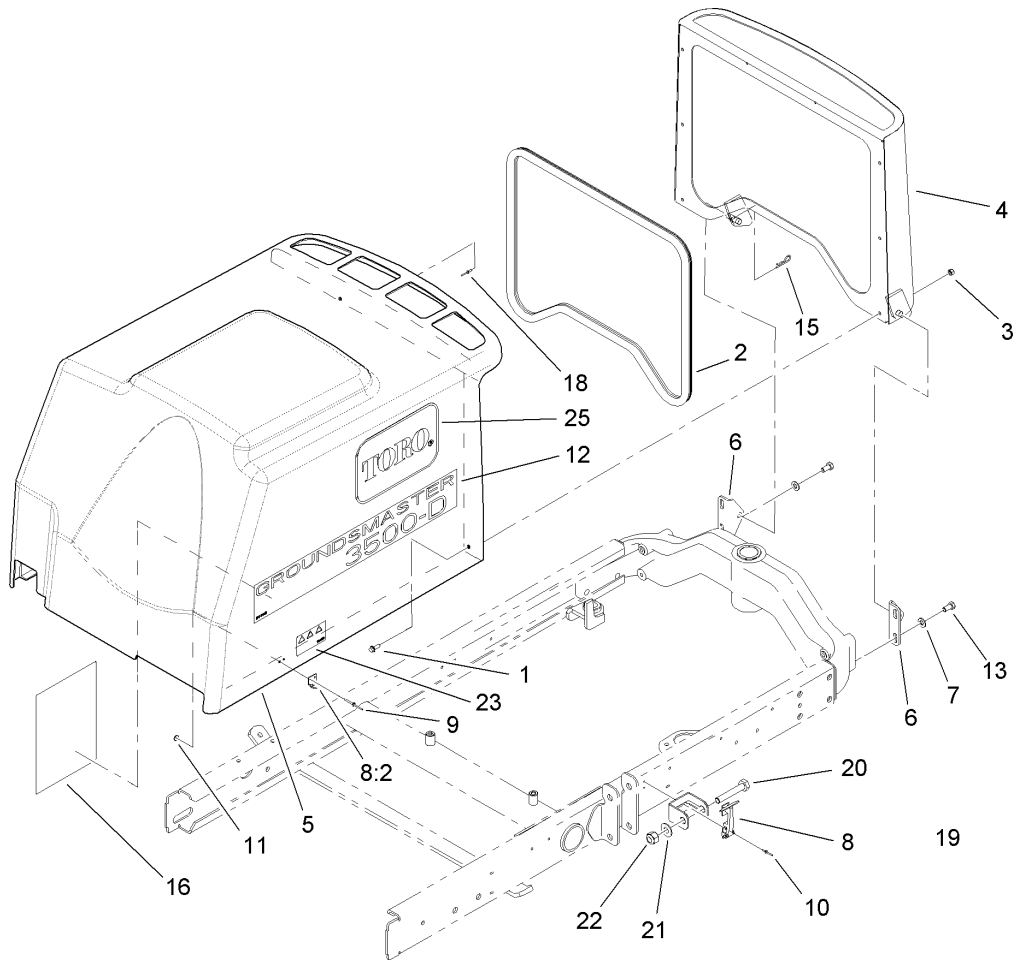
Ref	Part No.	Qty.	Description
17	32144-4	4	Screw-HWH
18	3234-17	3	Screw-HHF
19	2412-130	3	Clamp-Hose



## Radiator Assembly

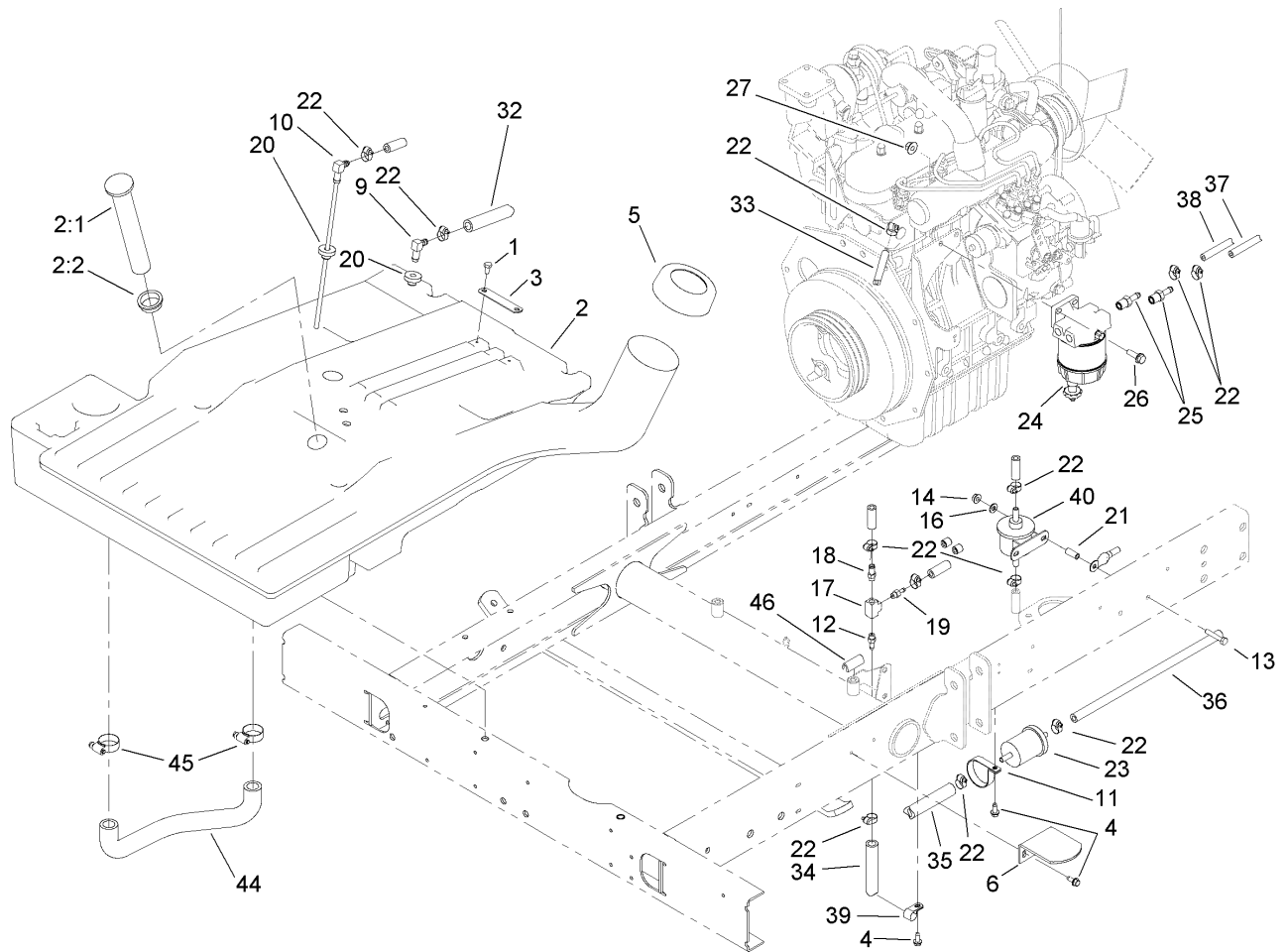
Ref	Part No.	Qty.	Description
1	304-46	1	Draincock
2	32104-116	11	Screw
3	32128-44	4	Nut
4	3230-1	4	Bolt-CARR
5	99-3637	1	Radiator
5:1	93-5957	1	Cap-Radiator
6	100-4885-03	1	Shroud-Fan, Top
7	100-4898-03	1	Shroud-Fan, Bottom
8	3234-1	4	Screw-HHF
9	92-2379	2	Clamp-Hose
10	104-4855-03	1	Radiator Frame ASM
11	2412-129	4	Clamp-Hose
13	3234-5	2	Screw-HHF
14	100-4899-03	1	Bracket-Reservoir
20	95-8702-03	1	Shield-Radiator, Lower
21	99-3497	1	Magnet
22	100-4869	1	Cooler-Oil
23	104-0454	1	Hose-Radiator, Upper
24	100-4809	1	Hose-Radiator, Lower
25	2412-34	2	Clamp-Hose
26	99-3644	1	Filter Head Tube ASM
27	100-4925	1	Fitting-Bulkhead
28	99-3646	2	Hose-Cooler, Oil
33	99-7435	1	Relay-Power

Ref	Part No.	Qty.	Description
34	32105-13	1	Screw-HWH
35	63-9640	1	Hose
37	100-4924	1	Tube ASM
38	32128-17	1	Nut-Lock, Flange
41	93-6681	1	Decal-Warning, Fan
42	32128-20	2	Nut-HF
43	340-126	1	Nut-Bulkhead
44	100-4866	1	Grommet
45	100-4858	2	Form-Wire
46	100-4859	2	Bracket-Cooler, Keeper
47	100-4860	2	Bracket-Clamp
48	322-17	2	Screw-HH
49	3296-47	2	Nut-Lock, NI
50	104-9459	2	Seal-Foam



## Hood and Screen Assembly

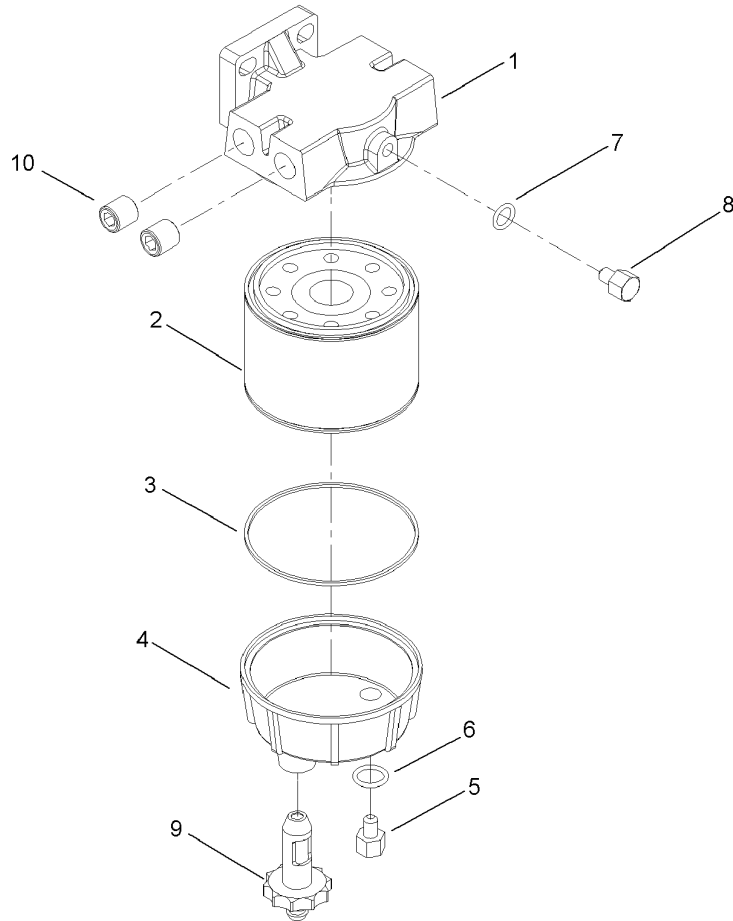
Ref	Part No.	Qty.	Description
1	3234-4	6	Screw-HHF
2	100-4932	1	Trim-Seal
3	3296-42	6	Nut-Lock, NI
4	104-4853-03	1	Hood Screen ASM
5	100-4855	1	Hood
5:5	106-8115	1	Heat Tape Repair Kit
6	95-8728	2	Bracket-Pivot, Hood
7	3256-24	8	Washer-Flat
8	59-9740	2	Flex Draw Latch ASM
8:2	249-40	1	Keeper
9	98-7310	4	Rivet
10	3290-55	4	Rivet-Pop
11	3269-10	4	Washer-Back
12	104-5152	2	Decal-Hood
13	323-6	4	Screw-HH
15	3290-467	1	Pin-Hair
16	107-7800	1	Decal-Service
18	3269-21	2	Rivet-Pop
19	99-3568	1	Bracket-Lock, Ce
20	321-9	1	Screw-HH
21	3256-22	1	Washer-Flat
22	3296-42	1	Nut-Lock, NI
23	106-6754	1	Decal-Danger
25	66-6140	2	Decal

### Fuel Tank Assembly

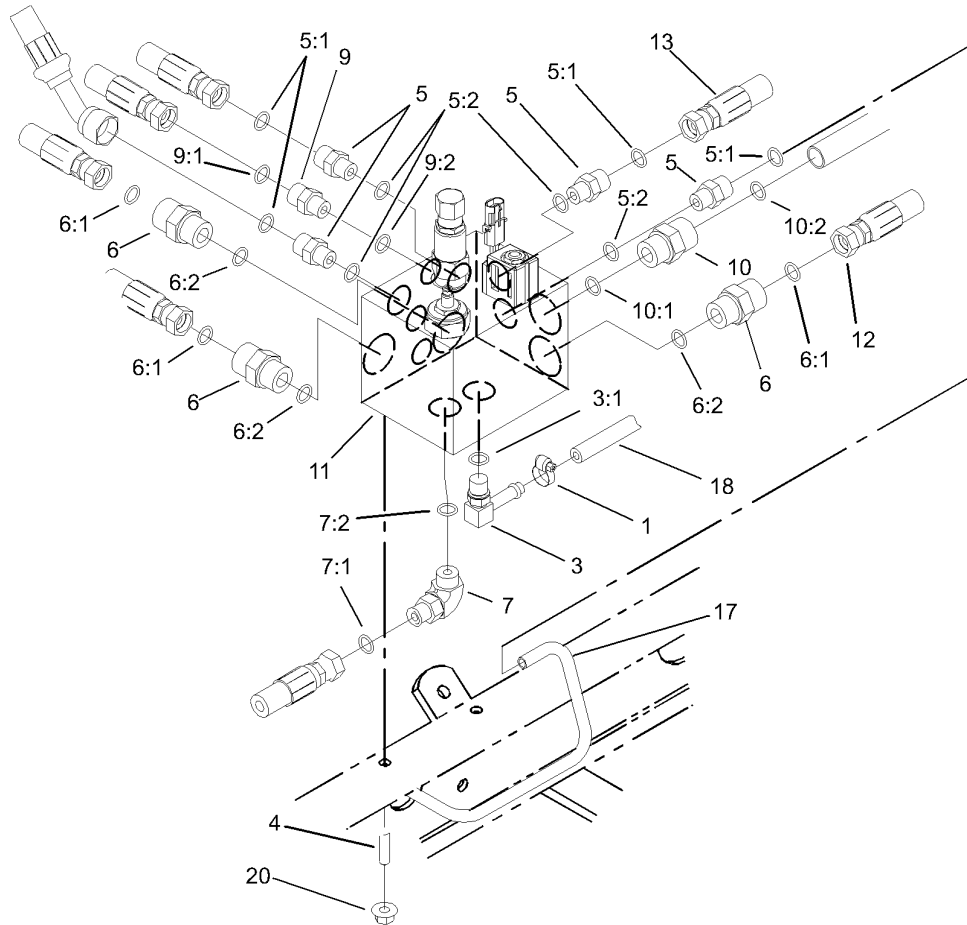
Ref	Part No.	Qty.	Description
1	321-2	2	Screw-HH
2	105-7865	1	Tank-Fuel
2:1	95-8971	1	Guage-Fuel
2:2	95-8972	1	Grommet
3	95-8881	1	Strap-Line, Fuel
4	32144-10	4	Screw-HWH
5	95-4193	1	Diesel Fuel Cap ASM
6	95-8968-03	1	Support-Tank, Fuel
9	46-6550	1	Fitting-Elbow, 90 DEG
10	66-8121	1	Standpipe
11	2412-148	1	Clamp-R
12	304-73	1	Connector-Hose
13	321-9	2	Screw-HH
14	32128-33	2	Nut-HF
16	3256-22	2	Washer-Flat
17	354-20	1	Fitting-Tee
18	354-21	1	Fitting-Barb
19	354-22	1	Fitting-Barb
20	46-6560	2	Bushing
21	87-4710	2	Spacer-Brake, Parking
22	2412-108	13	Clamp-Worm
23	98-7612	1	Filter-Fuel
24	98-9305	1	Water / Fuel Filter ASM
25	353-783	2	Fitting-Straight

Ref	Part No.	Qty.	Description
26	3234-17	2	Screw-HHF
27	32128-44	2	Nut
32	110-6187	1	Hose-Fuel
33	110-8751	1	Hose-Fuel
34	110-5701	1	Hose-Fuel
35	110-6186	1	Hose-Fuel
36	110-4110	1	Hose-Fuel
37	110-8752	1	Hose-Fuel
38	104-4857	1	Hose-Fuel
39	2412-73	1	Clamp-R
40	107-0122	1	Pump-Fuel, Electric
44	105-4094	1	Hose-Formed
45	2412-129	2	Clamp-Hose
46	110-8754	1	Trim



## Water and Fuel Filter Assembly No. 98-9305

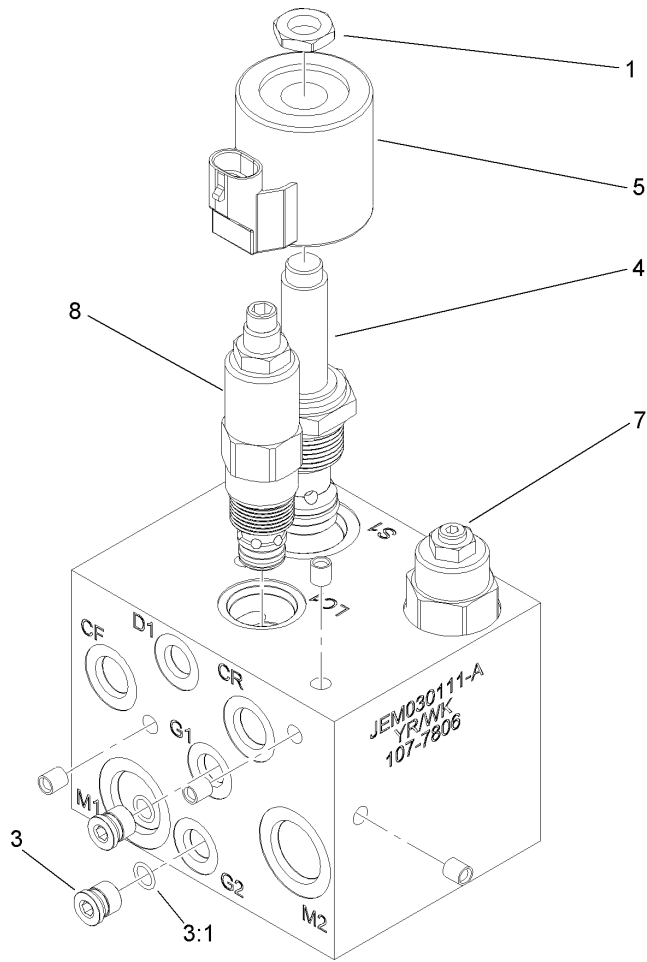
Ref	Part No.	Qty.	Description	
1	98-9772	1	Head-Filter	
2	98-9764	1	Element	
3	98-9774	1	O-Ring	
4	98-9775	1	Base-Filter	
5	98-9773	1	Plug-Base, Filter	
6	237-42	1	O-Ring	
7	237-78	1	O-Ring	
8	98-9776	1	Plug-Head, Filter	
9	98-9777	1	Drain Valve ASM	
10	285-22	2	Plug-Pipe	



## Manifold Block Installation Assembly

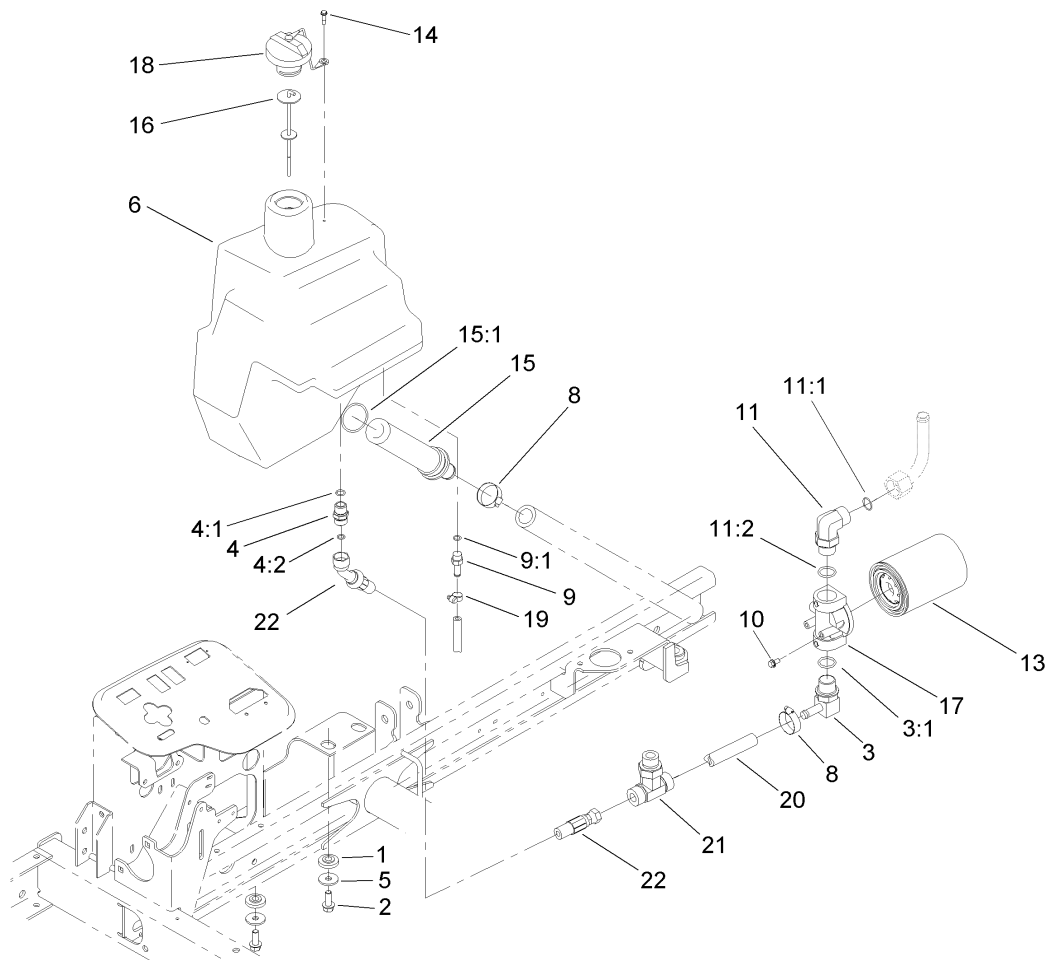
Ref	Part No.	Qty.	Description
1	2412-36	1	Clamp-Hose
3	100-4887	1	Fitting-Barb
3:1	237-42	1	O-Ring
4	104-0430	2	Stud
5	340-2	4	Fitting-HYD, Straight
5:1	237-22	1	O-Ring
5:2	237-42	1	O-Ring
6	340-7	3	Adapter
6:1	237-65	1	O-Ring
6:2	237-80	1	O-Ring
7	340-77	1	Fitting-HYD, 90 DEG
7:1	237-22	1	O-Ring
7:2	237-42	1	O-Ring
9	340-88	1	Adapter
9:1	237-22	1	O-Ring
9:2	237-78	1	O-Ring
10	340-66	1	Fitting-HYD
10:1	237-80	1	O-Ring
10:2	237-58	1	O-Ring
11	107-7806	1	Manifold Block ASM
12	104-0488	1	Hose ASM
13	92-7595	1	Hose ASM
17	100-4827	1	Tube ASM
18	80-7342	1	Hose ASM

Ref	Part No.	Qty.	Description
20	32128-20	2	Nut-HF



## Manifold Block Assembly No. 107-7806

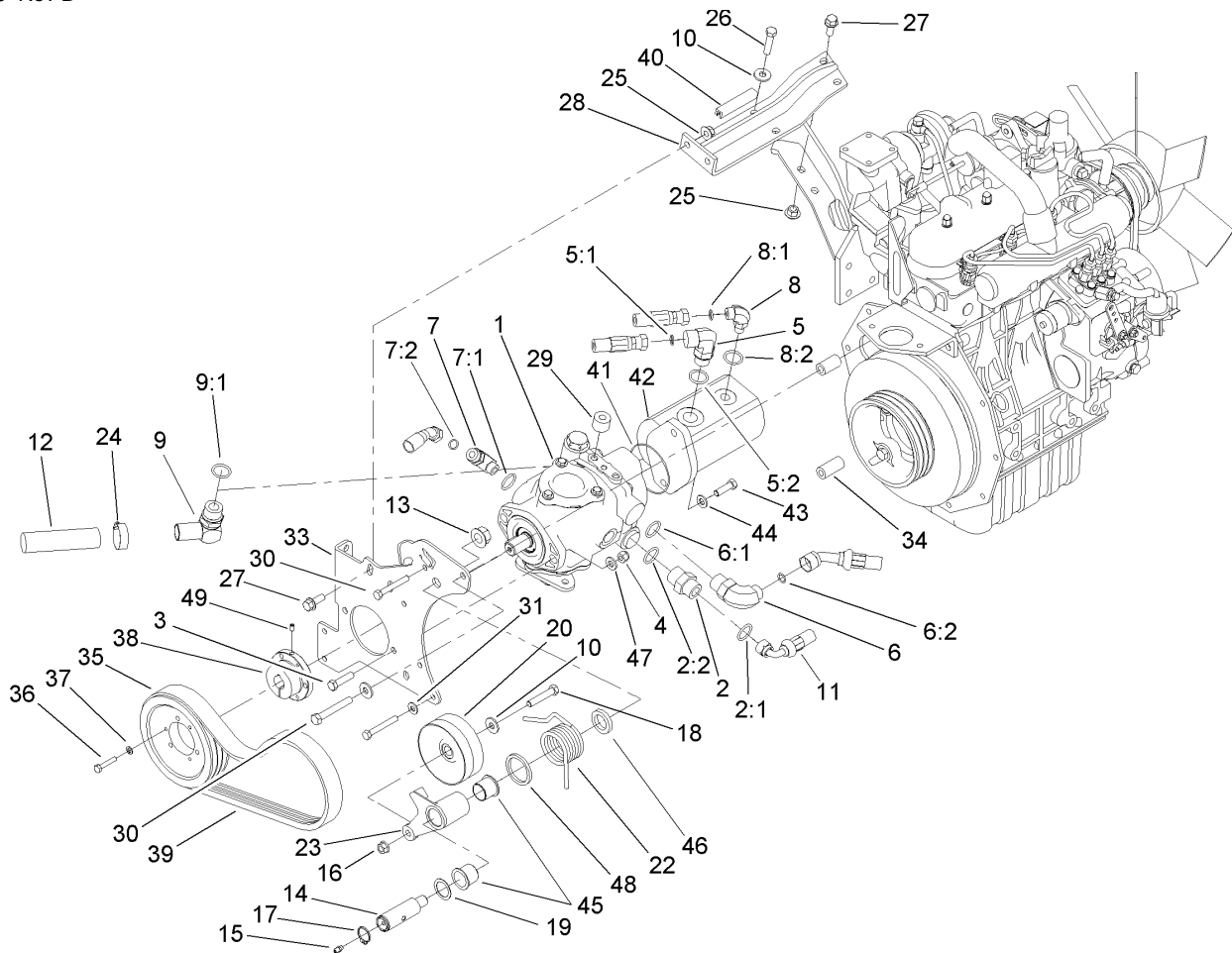
Ref	Part No.	Qty.	Description				
1	107-7812	1	Nut-Solenoid				
❶2	107-7815	1	Seal Kit				
3	353-512	2	Plug				
3:1	237-78	1	O-Ring				
4	107-7809	1	Cartridge ASM				
5	107-7811	1	Solenoid				
❶6	107-7813	1	Seal Kit				
7	107-7810	1	Valve-Braking				
8	107-7808	1	Cartridge-Logic				
❶9	107-7814	1	Seal Kit				



## Hydraulic Tank Assembly

Ref	Part No.	Qty.	Description
1	240-11	4	Bushing-Flange
2	3234-11	4	Screw-HHF
3	353-987	1	Fitting-HYD, 90
3:1	237-81	1	O-Ring
4	100-4890	1	Fitting-Check
4:1	237-79	1	O-Ring
4:2	237-30	1	O-Ring
5	63-8410	4	Washer
6	104-4840	1	Tank-HYD
8	2412-34	2	Clamp-Hose
9	353-979	1	Fitting-Straight
9:1	237-42	1	O-Ring
10	3234-13	2	Screw-HHF
11	340-142	1	Fitting-HYD, 90 DEG
11:1	237-58	1	O-Ring
11:2	237-81	1	O-Ring
13	86-3010	1	Filter-Oil
14	57-5420	1	Screw-Shoulder
15	104-7546	1	Strainer-Tank
15:1	340-136	1	O-Ring
16	75-3710	1	Dipstick
17	92-5821	1	Filter Head ASM
18	93-7160	1	Cap-Oil, HYD
19	2412-36	1	Clamp-Hose

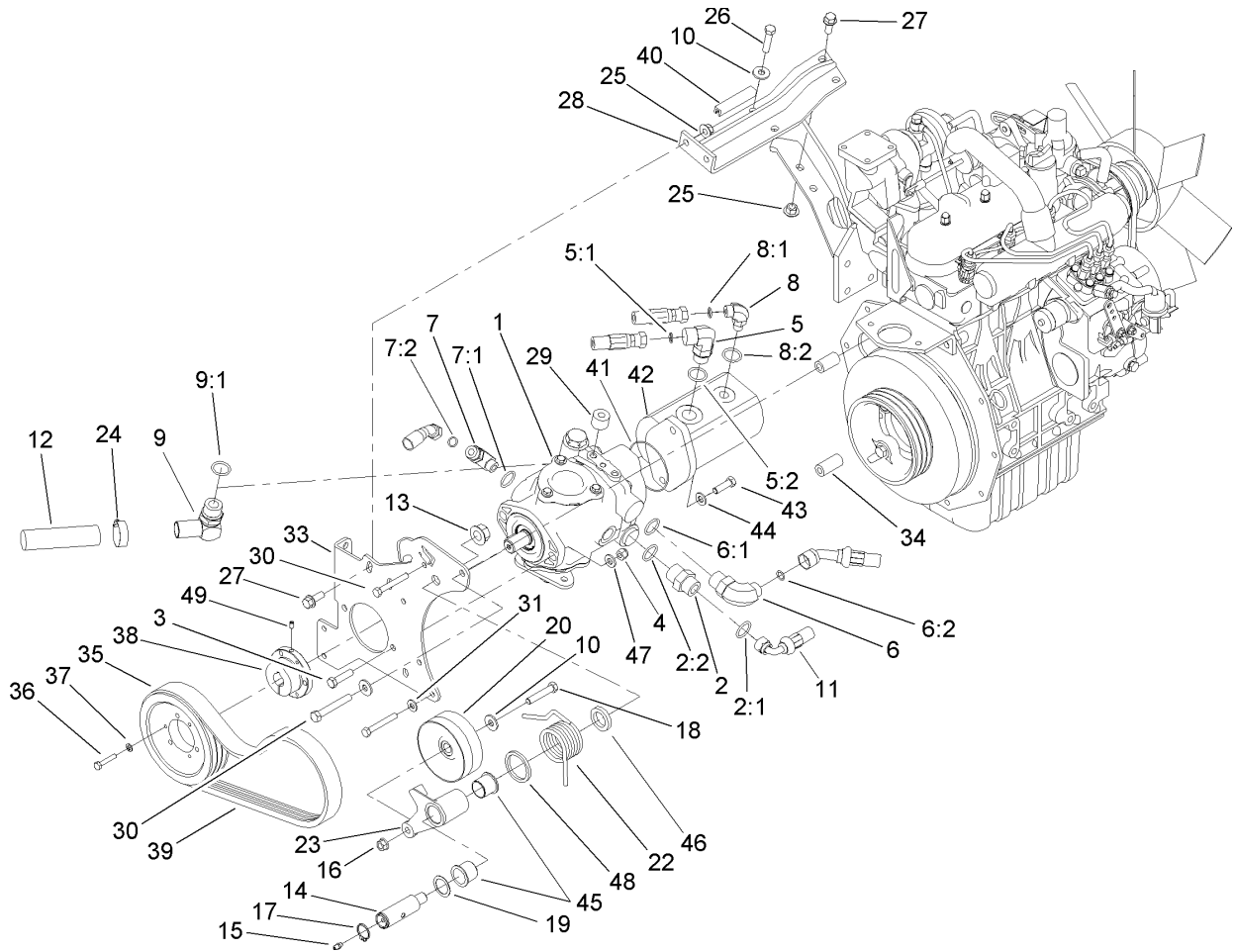
Ref	Part No.	Qty.	Description
20	104-0486	1	Hose ASM
21	104-4836	1	Fitting-Tee
22	104-0487	1	Hose ASM



## Hydrostat Assembly

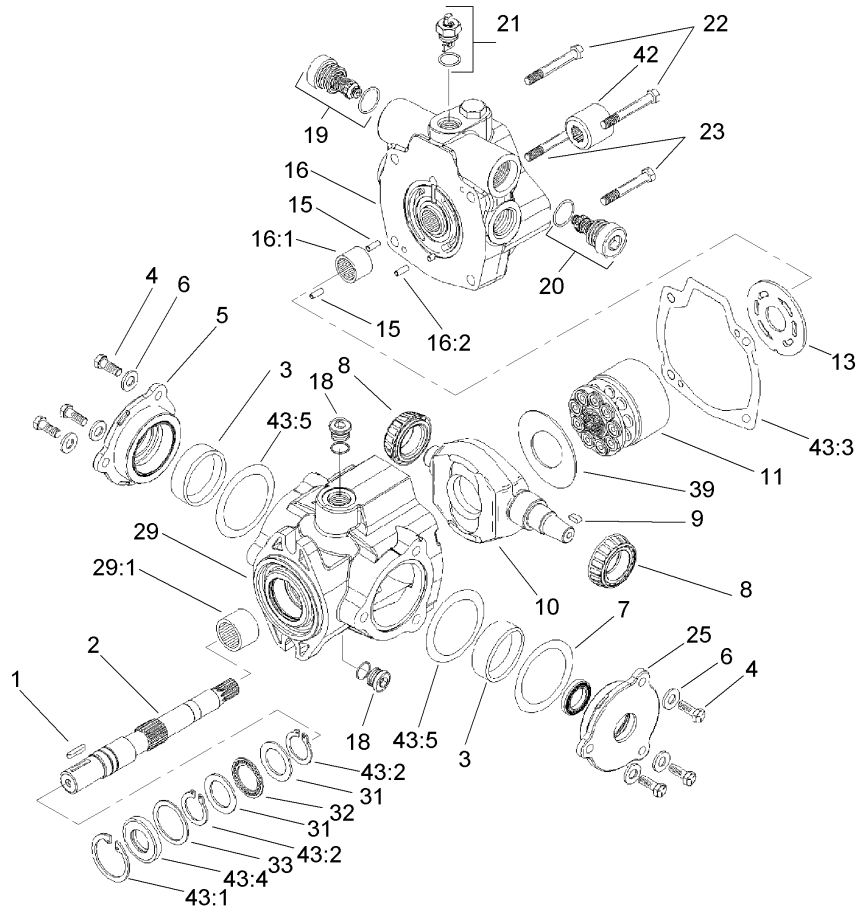
Ref	Part No.	Qty.	Description
1	104-4890	1	Pump-Piston
2	340-8	1	Adapter
2:1	237-65	1	O-Ring
2:2	237-81	1	O-Ring
3	323-8	2	Screw-HH
4	3296-39	2	Nut-Lock, NI
5	340-17	1	Fitting-HYD, 90 DEG
5:1	237-65	1	O-Ring
5:2	237-80	1	O-Ring
6	340-139	1	Fitting-HYD, 90 DEG
6:1	237-81	1	O-Ring
6:2	237-65	1	O-Ring
7	340-18	1	Fitting-HYD, 90 DEG
7:1	237-79	1	O-Ring
7:2	237-22	1	O-Ring
8	340-77	1	Fitting-HYD, 90 DEG
8:1	237-22	1	O-Ring
8:2	237-42	1	O-Ring
9	95-3502	1	Fitting-Elbow
9:1	237-81	1	O-Ring
10	80-6990	3	Washer-Hardened
11	105-1214	1	Hose ASM
12	104-5486	1	Hose
13	32128-54	1	Nut-HF

Ref	Part No.	Qty.	Description
14	99-3624	1	Shaft-Pivot, Idler
15	302-5	1	Fitting-Grease
16	32128-21	1	Nut-HF
17	32151-36	1	Ring-Retaining
18	323-10	1	Screw-HH
19	74-1810	1	Washer
20	107-7834	1	Pulley-Idler
22	100-4844	1	Spring-Torsion
23	99-3623-03	1	Arm-Idler
24	2412-34	1	Clamp-Hose
25	32128-43	4	Nut-Flange
26	323-19	2	Screw-HH
27	3234-11	4	Screw-HHF
28	99-3436-03	1	Support-Pump
29	99-3440	2	Spacer
30	33114-060	4	Screw-HH
31	87-8640	3	Washer-Flat
33	95-8933-03	1	Plate-Mount, Pump
34	95-8941	4	Spacer-Mount, Pump
35	99-3620	1	Pulley-3V, Pump
36	321-13	3	Screw-HH
37	3253-3	3	Washer-Lock
38	100-4813	1	Bushing-Lock, Taper
39	99-3619	1	Belt-3V



### Hydrostat Assembly (continued)

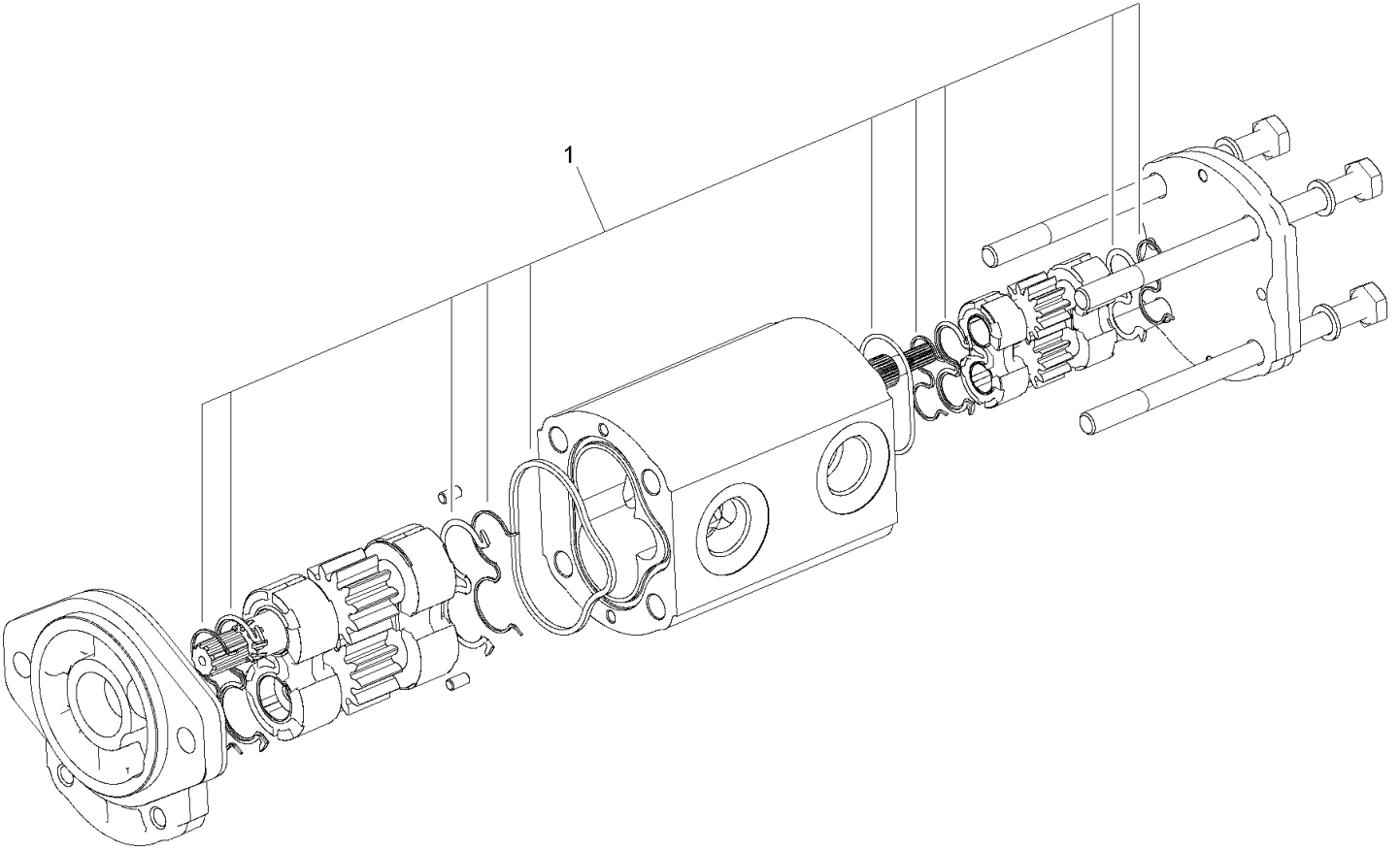
Ref	Part No.	Qty.	Description
40	70-2041	1	Trim
41	353-949	1	O-Ring
42	108-9036	1	Pump-Gear, HYD
43	323-7	2	Screw-HH
44	3256-24	2	Washer-Flat
45	99-3631	2	Bushing-Flange
46	99-3625	1	Spacer-Arm, Idler
47	100-4852	2	Washer-Hardened
48	72-4170	1	Washer
49	3245-41	1	Screw-HSH



## Piston Pump Assembly No. 104-4890

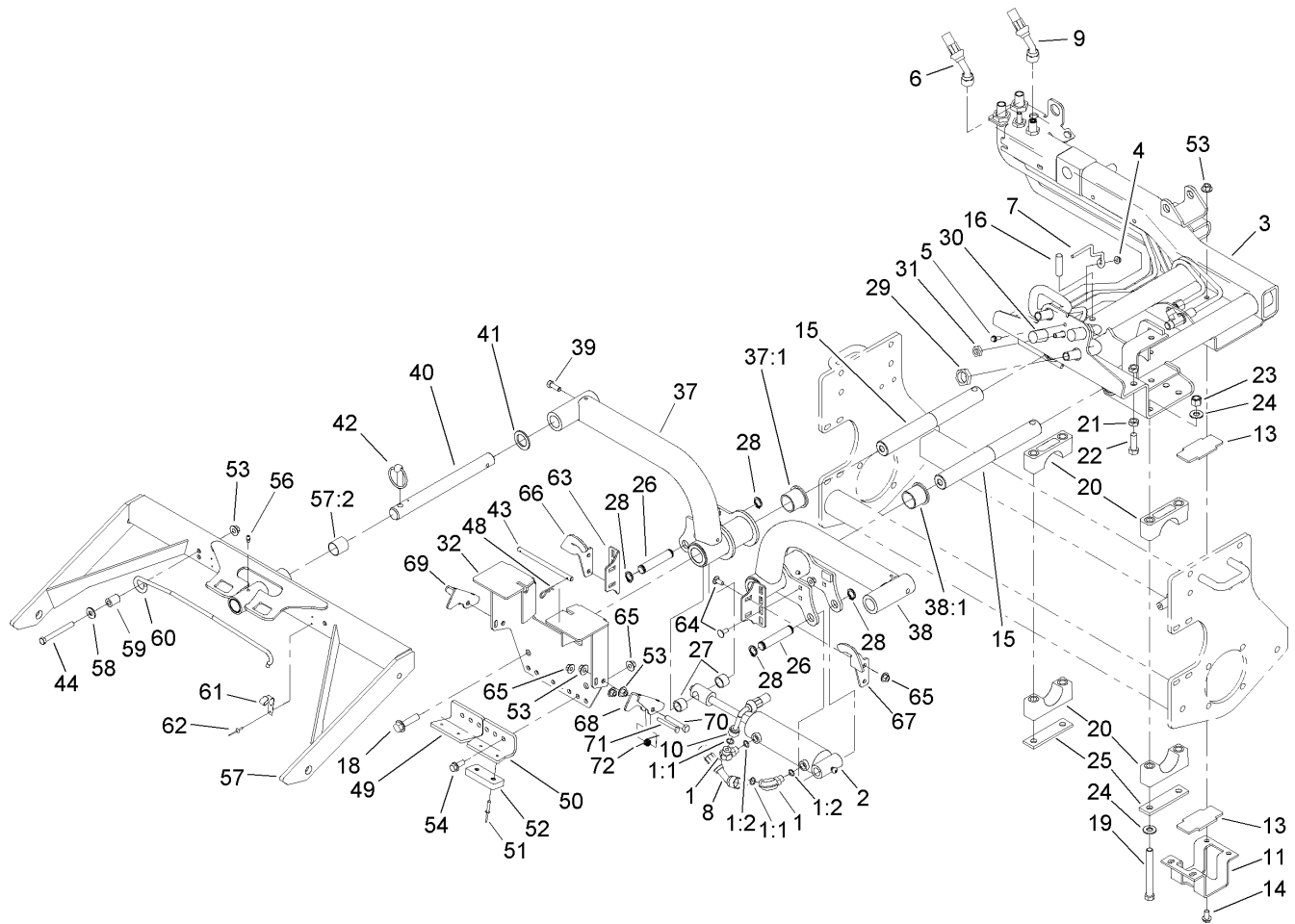
Ref	Part No.	Qty.	Description
1	94-3645	1	Key
2	94-6359	1	Shaft-Drive
3	104-4046	2	Bearing-Cup
4	98-4640	6	Screw-Cap
5	98-4644	1	Plate-Cover
6	105-9762	6	Washer
7	100-3182	2	Shim Kit
8	98-4639	2	Bearing-Cone
9	94-3646	1	Key
10	104-4888	1	Swashplate
11	76-6070	1	Rotating Kit
13	104-0429	1	Plate-Cam
15	76-6150	2	Pin-Dowel
16	105-3813	1	Endcover Sub ASM
16:1	94-6368	1	Bearing
●16:2		1	Pin-Roll
18	74-9280	2	Plug ASM
●18:1		1	Seal-Dust
19	104-4889	1	Relief Valve ASM
20	105-3812	1	Valve-Check
21	105-3811	1	Valve-Bypass
22	76-6170	2	Capscrew
23	76-6160	2	Capscrew
25	98-4645	1	Plate-Cover

Ref	Part No.	Qty.	Description
29	100-3176	1	Housing ASM
29:1	94-6363	1	Bearing
31	252-71	2	Washer-Thrust
32	252-66	1	Bearing-Thrust
33	33-3720	1	Washer
39	98-4635	1	Insert-Plate, Cam
42	74-9040	1	Coupler
●43	104-4868	1	Seal Repair Kit
43:1	32151-13	1	Ring-Retaining
43:2	32151-29	1	Ring-Retaining
43:3	33-4930	1	Gasket-Housing
43:4	104-4861	1	Seal-Shaft
43:5	100-3179	1	O-Ring



## Hydraulic Gear Pump Assembly No. 108-9036

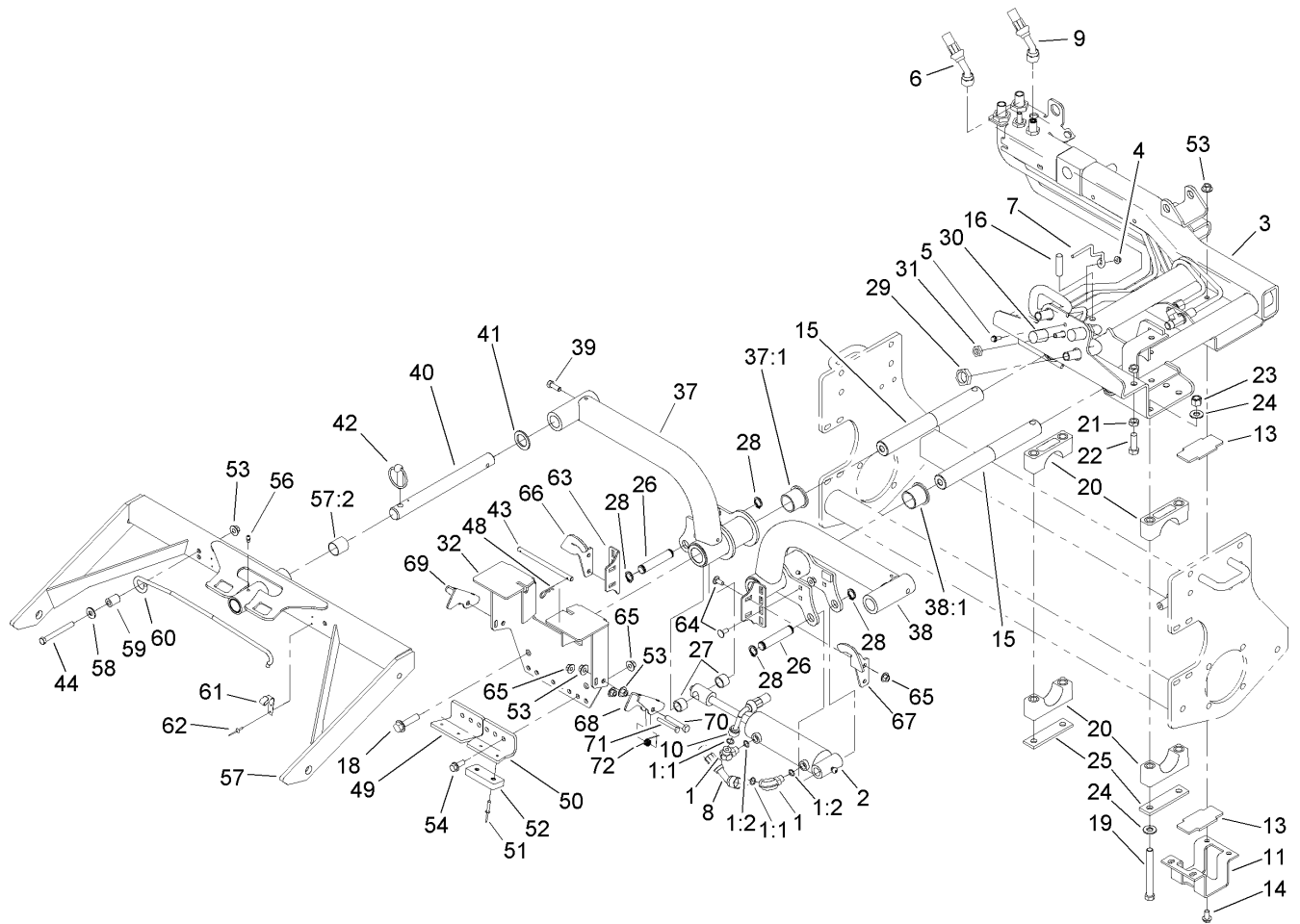
Ref	Part No.	Qty.	Description
1	110-8755	1	Seal Kit

## Carrier Assembly

Ref	Part No.	Qty.	Description
1	340-77	2	Fitting-HYD, 90 DEG
1:1	237-22	1	O-Ring
1:2	237-42	1	O-Ring
2	108-9033	1	Cylinder-HYD
3	100-4939-03	1	Sidewinder Carrier ASM
4	32128-33	1	Nut-HF
5	3234-4	1	Screw-HHF
6	95-8822	1	Hose ASM
7	99-3433	1	Wire-Center
8	104-0405	1	Hose ASM
9	95-8821	1	Hose ASM
10	104-0406	1	Hose ASM
11	104-0416-03	1	Bracket-Slide
13	104-0417	2	Slide-Plastic
14	3234-1	4	Screw-HHF
15	95-8531	2	Shaft-Pivot, Liftarm
16	32121-122	2	Pin-Roll
18	3234-27	2	Screw-Flange
19	325-19	8	Screw-HH
20	104-4865	8	Cap-Bearing
21	3218-5	4	Nut-Jam
22	325-6	2	Screw-HH
23	3296-23	8	Nut-Lock, NI
24	87-7270	16	Washer-Thrust

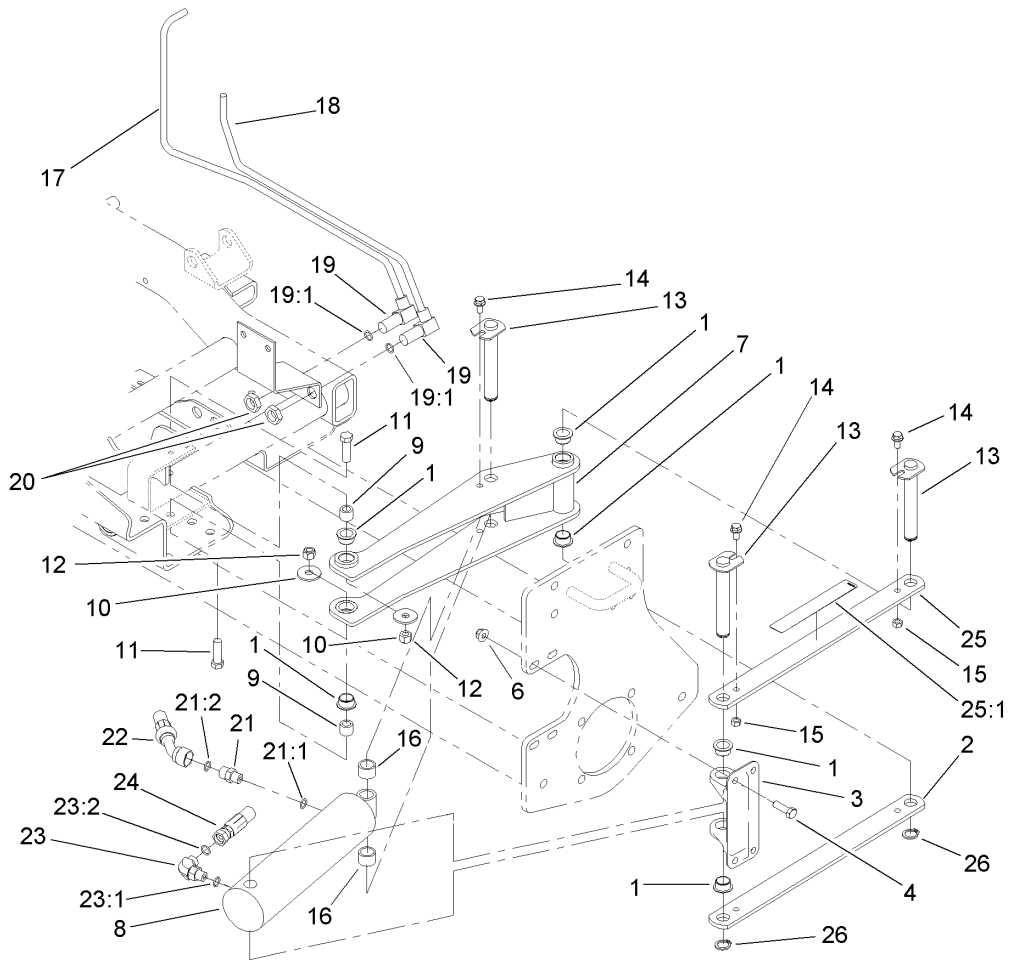
Ref	Part No.	Qty.	Description
25	99-3373	4	Bar-Support, Slide
26	95-8575	2	Pin
27	75-9590	2	Spacer-Cylinder
28	32120-93	4	Ring-Retaining, EXT
29	340-74	4	Locknut-Bulkhead
30	99-3640	1	Tube ASM
31	340-78	1	Nut-Lock, Bulkhead
32	104-4820-03	1	Bracket-Stop, Carrier
37	104-0481	1	RH Liftarm ASM
37:1	69-6470	2	Bushing-Caster
38	104-0482	1	LH Liftarm ASM
38:1	69-6470	2	Bushing-Caster
39	323-6	2	Screw-HH
40	95-8979	2	Shaft
41	3-6781	2	Washer-Thrust
42	283-71	2	Pin-Lynch
43	104-0472	1	Rod
44	323-15	2	Screw-HH
48	3290-467	2	Pin-Hair
49	104-4639-03	1	Stop-Deck, LH
50	104-4640-03	1	Stop-Deck, RH
51	3269-11	4	Rivet
52	86-5350	2	Bumper-Rubber
53	32128-43	14	Nut-Flange



### Carrier Assembly (continued)

Ref	Part No.	Qty.	Description
54	3234-11	4	Screw-HHF
56	302-5	2	Fitting-Grease
57	106-4198	2	Front Carrier Frame ASM
57:2	108-4000	2	Bushing
58	3256-4	2	Washer-Flat
59	104-4613	2	Tube-Latch
60	104-4612	2	Rod-Latch
61	104-4237	2	Clip-Rod
62	3290-271	4	Rivet-Pop
63	104-4828-03	2	Bracket-Actuator
64	3230-23	8	Screw-CARR
65	32128-44	12	Nut
66	104-4826-03	1	Actuator-RH
67	104-4827-03	1	Actuator-LH
68	104-4819-03	1	Bracket-Pivot, LH
69	104-4825-03	1	Bracket-Pivot, RH
70	323-11	2	Screw-HH
71	322-11	2	Screw-HH
72	104-4821	2	Spring-Torsion

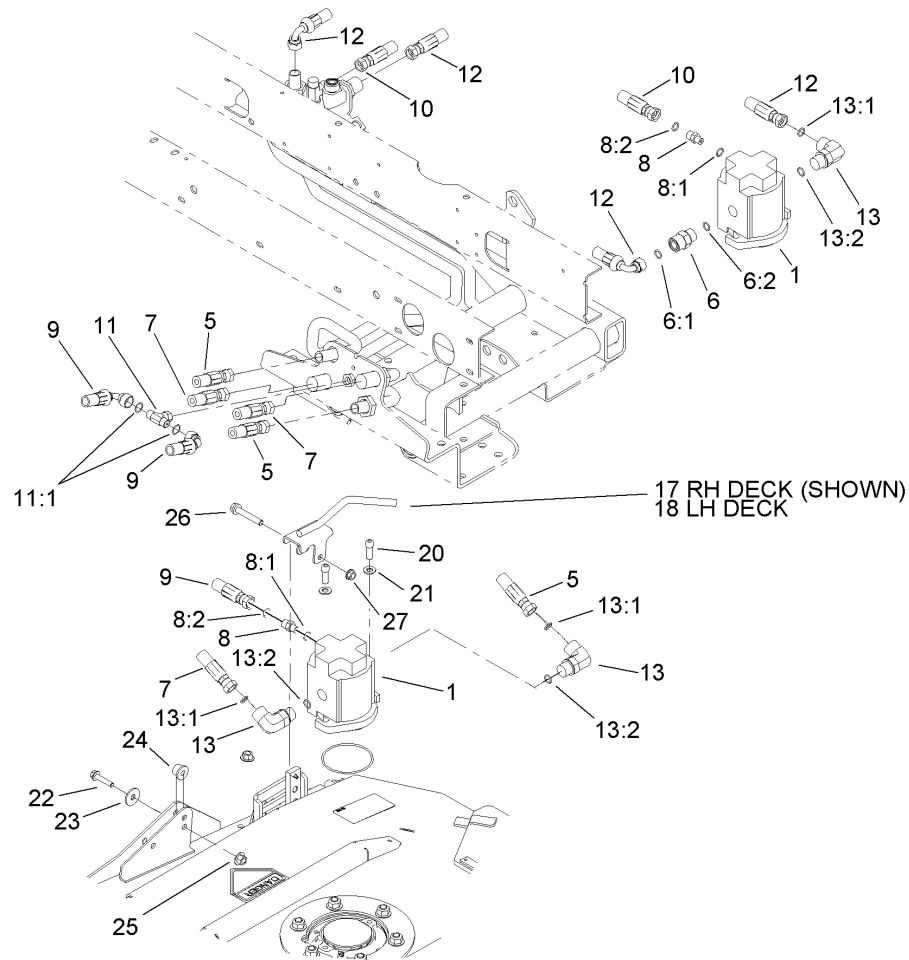
--	--	--	--



## Scissor Assembly

Ref	Part No.	Qty.	Description
1	95-8526	6	Bushing-Plastic
2	95-8527-03	1	Link-Scissor
3	95-8883	1	Mount-Scissor
4	323-7	4	Screw-HH
6	104-8301	4	Nut-Flange, NI
7	95-8521-03	1	Frame-Scissor
8	95-8512	1	Cylinder-HYD
9	95-8603	2	Spacer
10	87-5330	2	Washer
11	324-6	2	Screw-HH
12	3296-48	2	Nut-Lock, NI
13	95-8529	3	Pin
14	3234-14	3	Screw-HHF
15	32152-1	3	Nut-Lock, Cone
16	46-6350	2	Spacer
17	95-8790	1	Tube ASM
18	95-8791	1	Tube ASM
19	340-154	2	Union-Bulkhead
19:1	237-22	2	O-Ring
20	340-70	2	Nut-Lock
21	85-9720	1	Fitting-Orificed
21:1	237-78	1	O-Ring
21:2	237-21	1	O-Ring
22	95-8838	1	Hose ASM

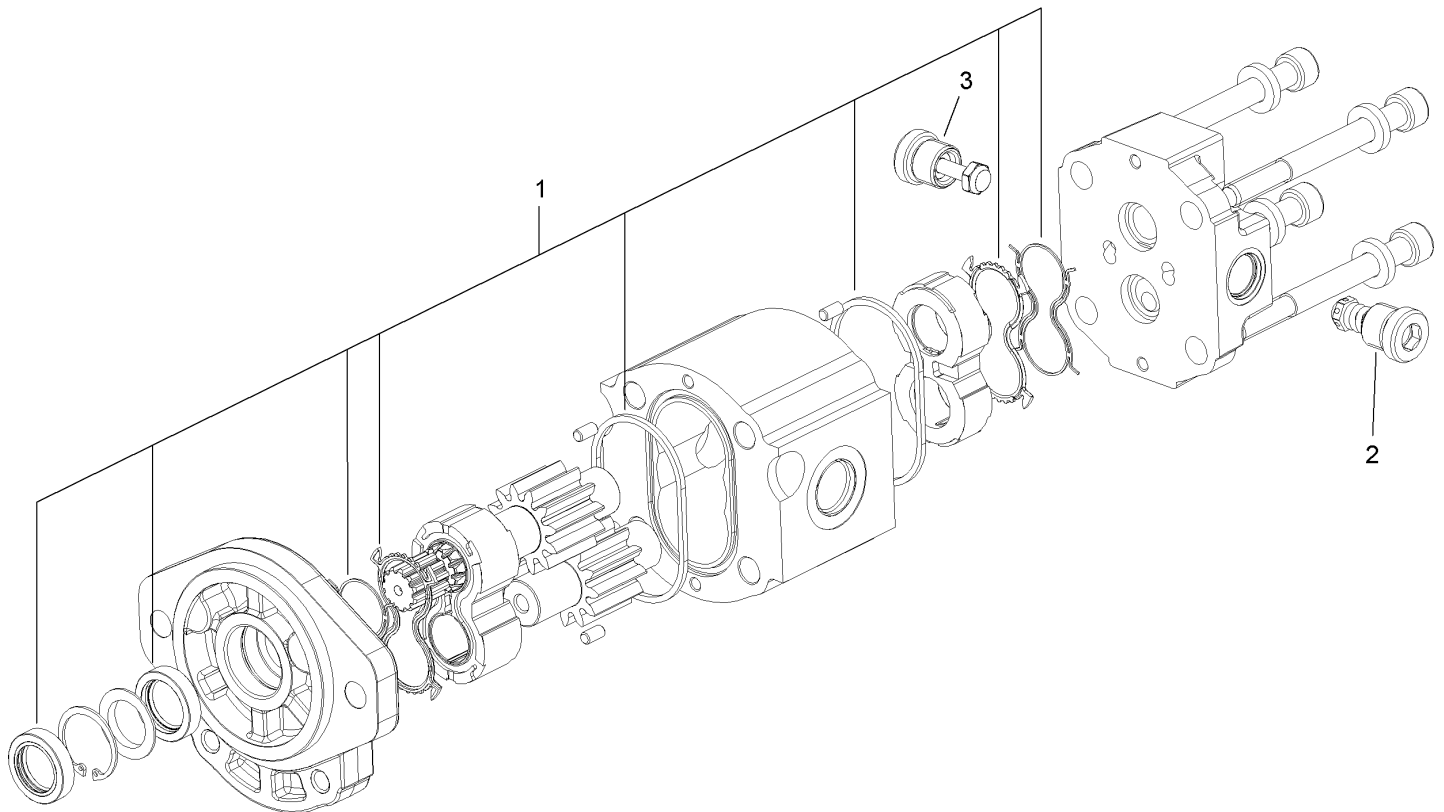
Ref	Part No.	Qty.	Description
23	340-132	1	Fitting-HYD, 90 DEG
23:1	237-78	1	O-Ring
23:2	237-21	1	O-Ring
24	95-8839	1	Hose ASM
25	99-3505	1	Scissors Link ASM
25:1	94-3353	1	Decal-Point, Pinch
26	32120-93	2	Ring-Retaining, EXT



## Rotary Motor Assembly

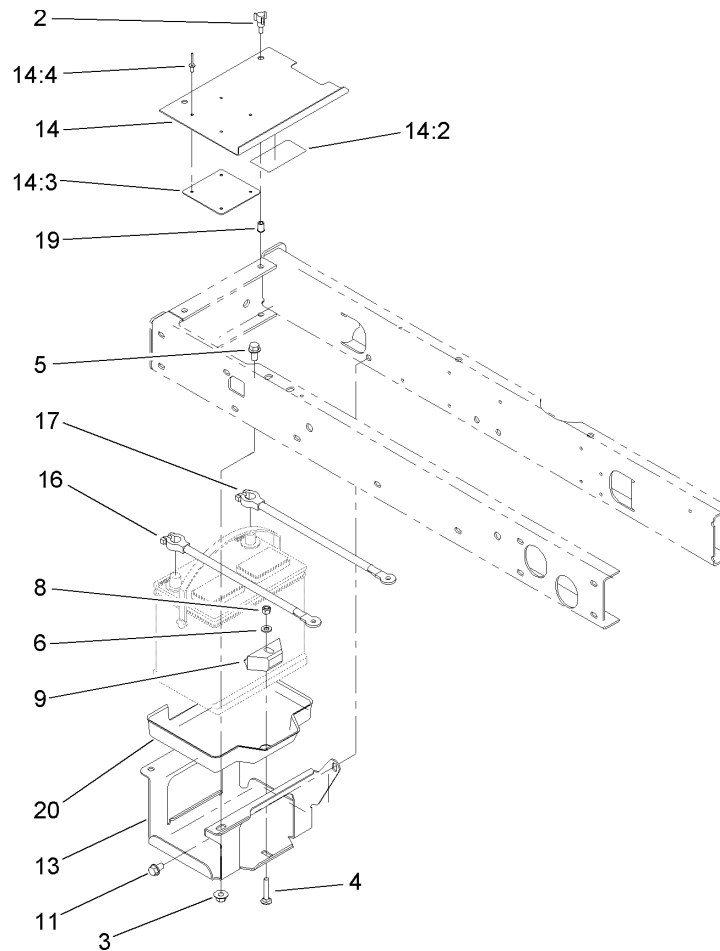
Ref	Part No.	Qty.	Description
1	105-9872	3	Motor-HYD
5	105-1216	2	Hose ASM
6	340-7	1	Adapter
6:1	237-65	1	O-Ring
6:2	237-80	1	O-Ring
7	105-1215	2	Hose ASM
8	340-92	3	Fitting-HYD, Straight
8:1	237-78	1	O-Ring
8:2	237-21	1	O-Ring
9	104-1080	2	Hose ASM
10	100-4876	1	Hose ASM
11	99-3477	1	Fitting-Tee
11:1	237-42	2	O-Ring
12	100-4880	2	Hose ASM
13	340-17	5	Fitting-HYD, 90 DEG
13:1	237-65	1	O-Ring
13:2	237-80	1	O-Ring
17	108-9028-03	2	RH Foot Guard ASM
18	108-9029-03	2	LH Foot Guard ASM
20	3274-7	6	Screw-HSH
21	3256-24	6	Washer-Flat
22	3234-18	6	Screw-HHF
23	93-8806	6	Washer-Hardened
24	95-8803	6	Bushing-Flange

Ref	Part No.	Qty.	Description
25	32128-43	6	Nut-Flange
26	100-2592	4	Screw-HHF
27	3290-357	4	Nut-HHF, Whiz



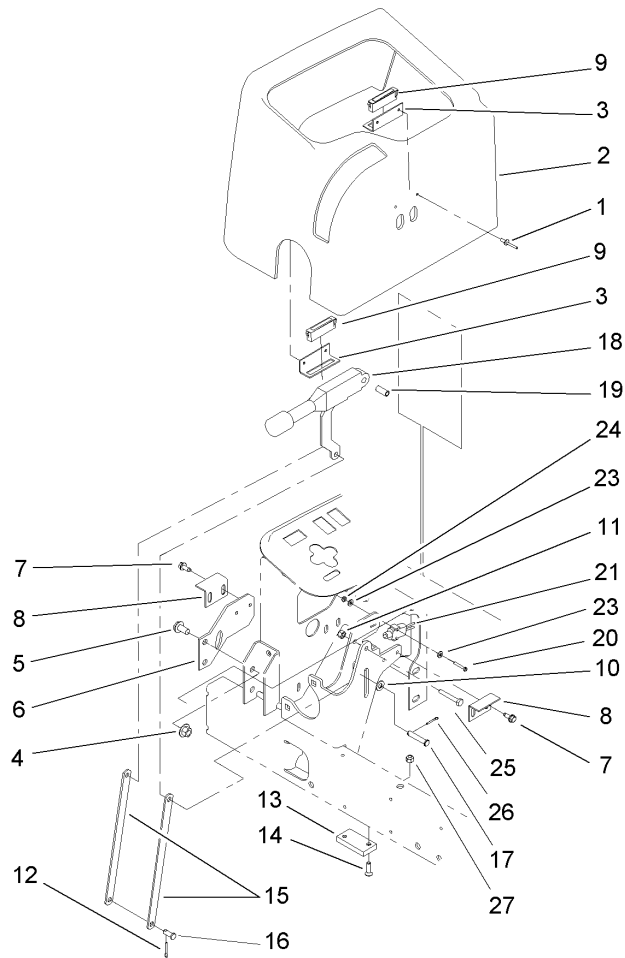
### Hydraulic Motor Assembly No. 105-9872

Ref	Part No.	Qty.	Description				
1	107-7819	1	Seal Kit				
2	107-7820	1	Valve-Relief				
3	107-7821	1	Valve-Anticavitation				



## Battery Assembly

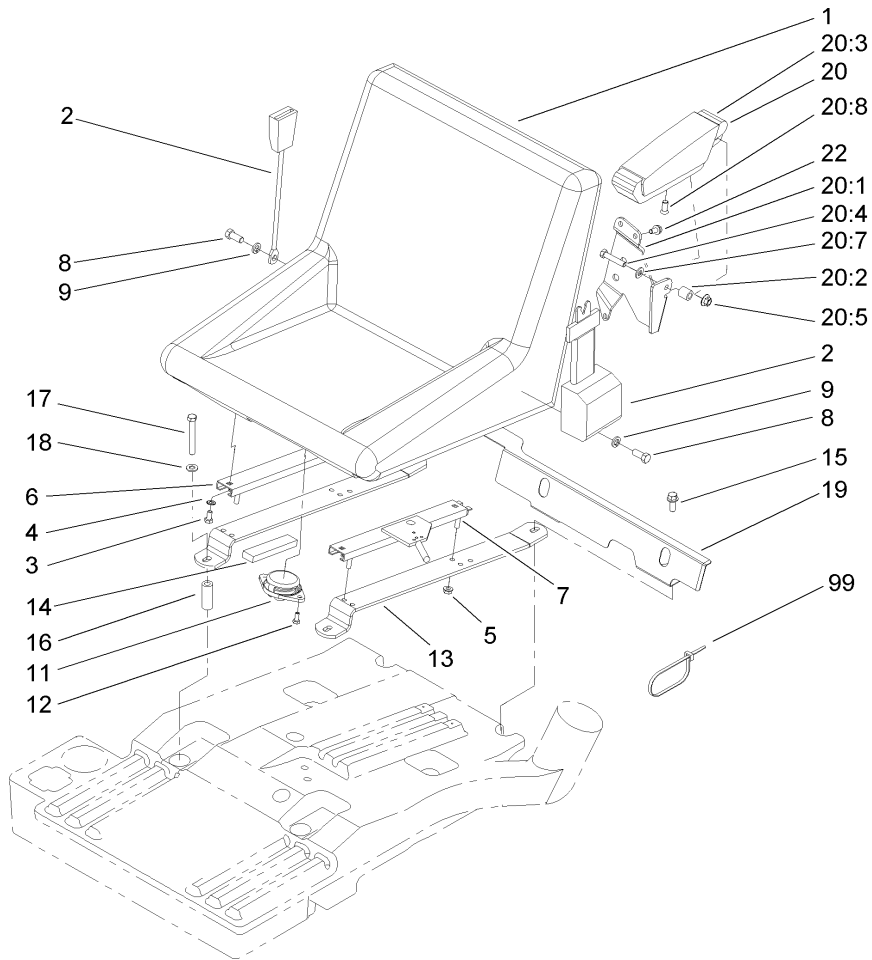
Ref	Part No.	Qty.	Description				
2	233-70	2	Knob-Star, Three				
3	32128-43	3	Nut-Flange				
4	3230-6	1	Screw-CARR				
5	3234-1	3	Screw-HHF				
6	3256-23	1	Washer-Flat				
8	3296-29	1	Nut-Lock, NI				
9	66-2490	1	Retainer-Battery				
11	32144-15	1	Screw-HHFTF				
13	95-8796-03	1	Support-Battery				
14	99-3602	1	Battery Cover ASM				
14:2	93-7276	1	Decal-Danger				
14:3	87-7620	1	Shield-Terminal, Battery				
14:4	3269-27	4	Rivet-Snap				
16	95-8853	1	Cable-Battery, Positive				
17	95-8854	1	Cable-Battery, Negative				
19	32148-6	2	Insert-Nut				
20	99-3513	1	Tray-Battery				



## Parking Brake Assembly

Ref	Part No.	Qty.	Description
1	3269-5	4	Rivet
2	95-8707	1	Cover-Dash
3	95-8763	2	Bracket-Hold Down, Cover
4	32128-43	2	Nut-Flange
5	3234-1	2	Screw-HHF
6	95-8764-03	1	Support-Magnet
7	32144-10	4	Screw-HWH
8	95-8765	2	Bracket-Strike, Magnet
9	58-4250	2	Catch-Magnetic
10	3256-23	1	Washer-Flat
11	3296-42	1	Nut-Lock, NI
12	3272-10	1	Pin-Cotter
13	95-8684	1	Pad-Bumper
14	3289-4	2	Screw-FH
15	104-4628-03	2	Link-Brake, Parking
16	283-62	1	Pin-Clevis
17	94-3829	1	Pin-Clevis
18	104-4817	1	Lever-Brake
19	87-4710	1	Spacer-Brake, Parking
20	32105-9	2	Screw
21	95-8900	1	Switch
23	3256-21	4	Washer-Flat
24	3296-9	2	Nut-Lock
25	321-10	1	Screw-HH

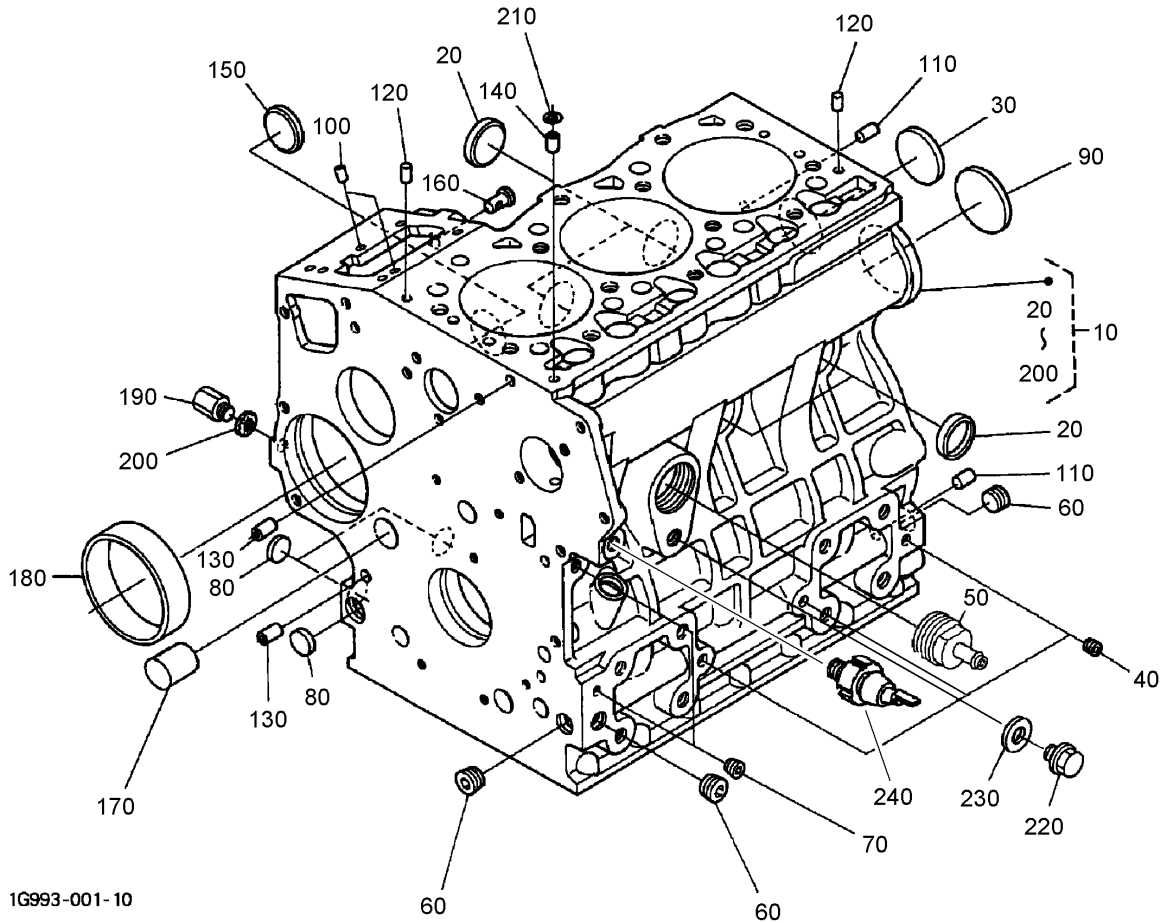
Ref	Part No.	Qty.	Description
26	3272-6	1	Pin-Cotter
27	32128-32	2	Nut-HHF



## Seat Mounting Assembly

Ref	Part No.	Qty.	Description
1	104-4620	1	Seat
2	100-4928	1	Belt-Seat
3	322-2	4	Screw-HH
4	3255-8	4	Washer-Lock
5	32128-25	4	Nut-HF
6	92-8990	1	Adjuster-Slave
7	92-8991	1	Adjuster ASM (W/Latch)
8	3212-4	2	Screw-HH
9	3253-6	2	Washer-Lock
11	92-6282	1	Switch-Seat
12	32144-10	2	Screw-HWH
13	104-0467-03	2	Strap-Support, Seat
14	95-8896	2	Foam
15	3234-11	2	Screw-HHF
16	104-0466	2	Spacer-Tube
17	323-14	2	Screw-HH
18	3256-24	2	Washer-Flat
19	104-4833-03	1	Shield-Heat
20	92-7307	1	LH Armrest ASM
20:1	69-0760	1	Bracket-Arm, LH
20:2	92-7301	1	Spacer
20:3	69-1180	1	Armrest
20:4	323-9	1	Screw-HH
20:5	32128-19	1	Nut-HF

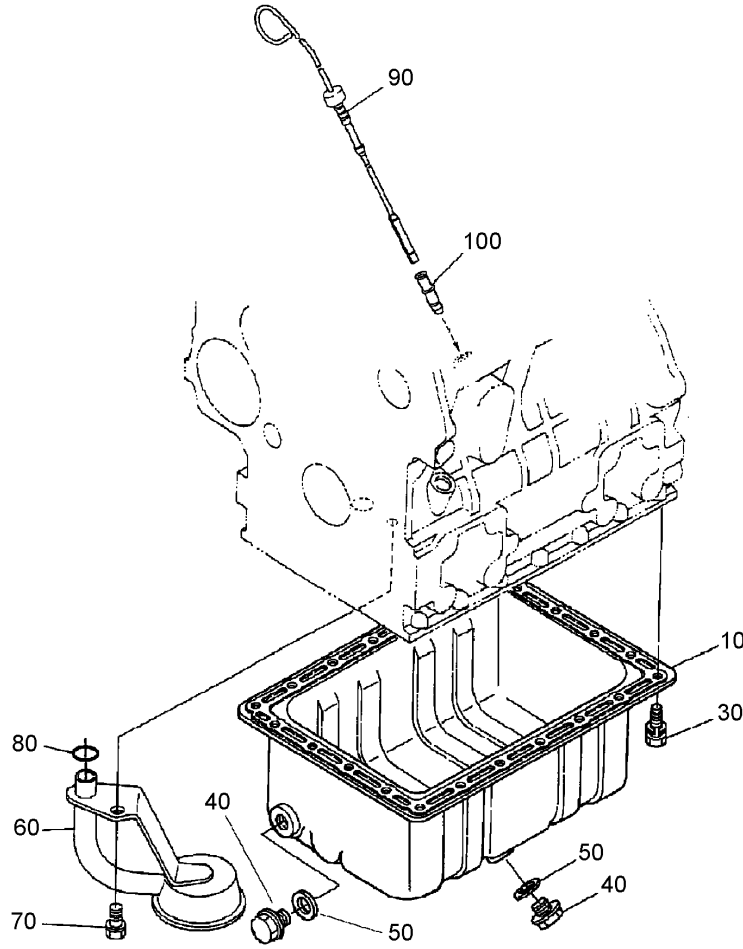
Ref	Part No.	Qty.	Description
20:7	3256-24	1	Washer-Flat
20:8	92-7318	1	Screw
●21	92-7306	1	RH Armrest ASM
●21:1	69-0770	1	Bracket-Arm, RH
●21:2	92-7301	1	Spacer
●21:3	69-1180	1	Armrest
●21:4	323-9	1	Screw-HH
●21:5	32128-19	1	Nut-HF
●21:7	3256-24	1	Washer-Flat
●21:8	92-7318	1	Screw
22	3234-14	6	Screw-HHF
99	3290-378	1	Tie-Cable



1G993-001-10

## Crankcase Assembly

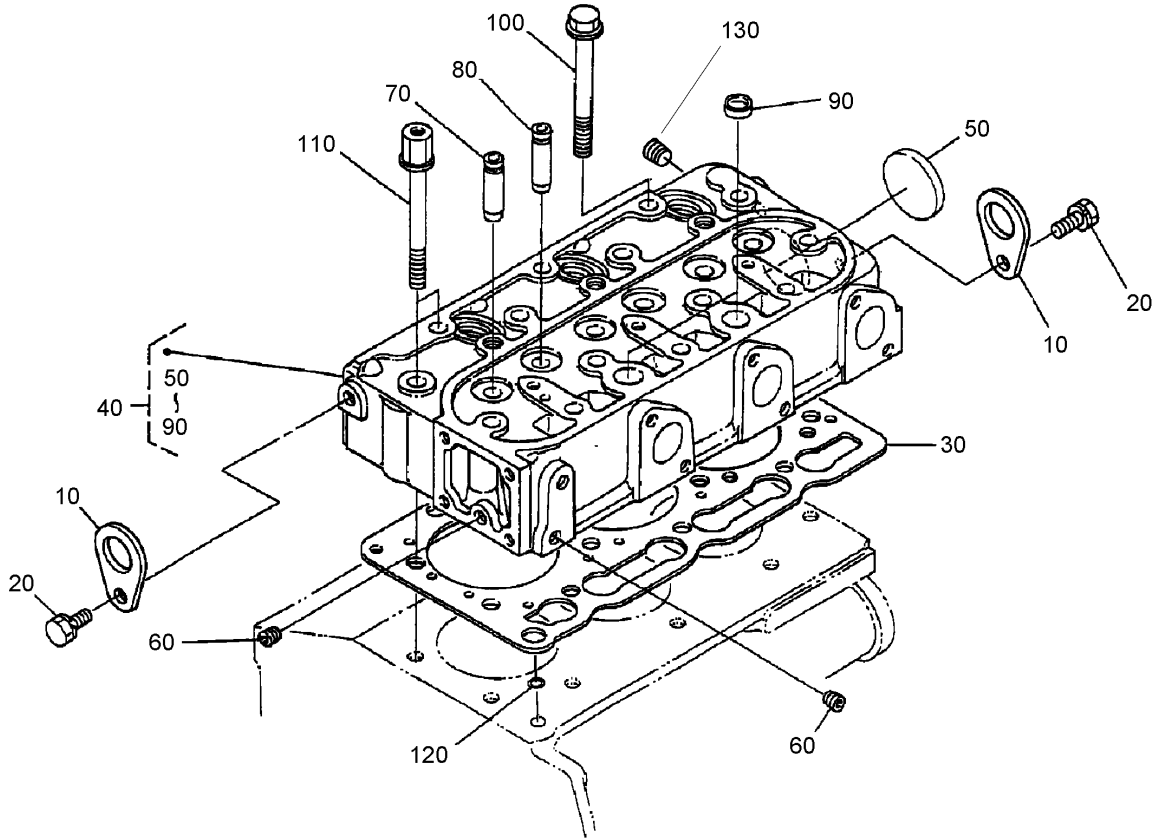
Ref	Part No.	Qty.	Description
10	107-7824	1	Crankcase ASM
20	98-9398	4	Cap-Sealing
30	98-7539	1	Cap-Sealing
40	98-7540	3	Plug
50	99-8347	1	Joint-Pipe, Drain
60	98-9597	3	Plug
70	98-7487	2	Plug
80	98-7489	3	Plug
90	98-9668	1	Plug
100	98-9375	2	Pin-Straight
110	98-9377	2	Pin-Straight
120	105-3795	2	Pin-Straight
130	98-9387	2	Pin-Pipe
140	98-9539	1	Pin-Pipe
150	98-9599	1	Plug
160	98-9630	1	Pin-Spring, Start
170	98-9675	1	Plug
180	98-9656	1	Bushing-Governor, Gear
190	98-7507	1	Plug
200	98-7428	1	Gasket
210	98-7509	1	O-Ring
220	99-3447	1	Plug
230	106-7056	1	Gasket
240	98-9416	1	Switch-Oil

### Dipstick and Oil Pan Assembly

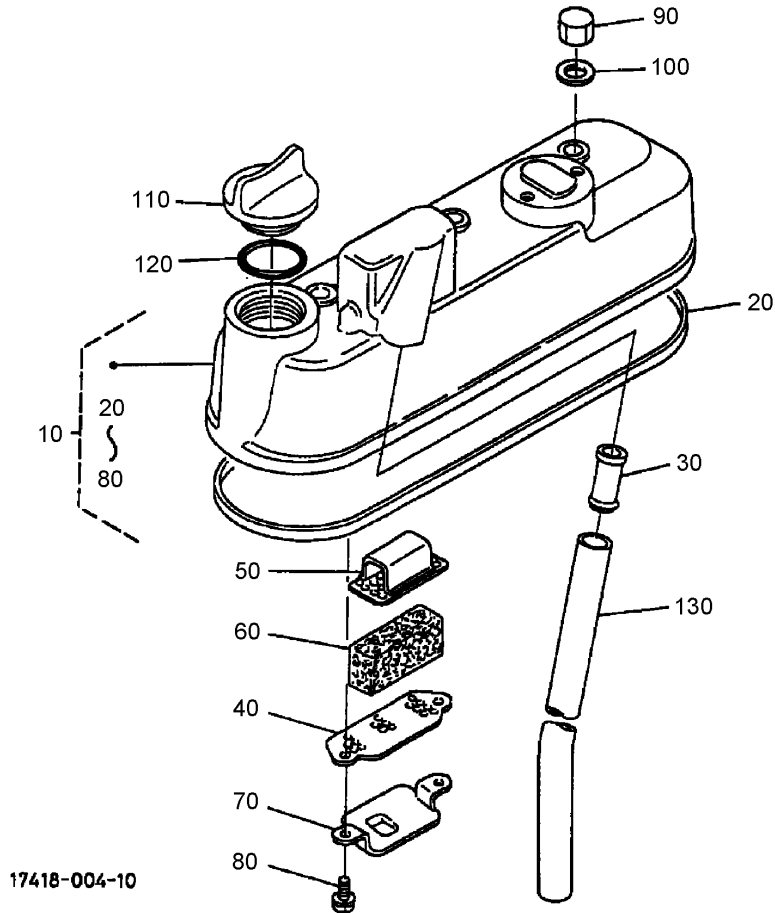
Ref	Part No.	Qty.	Description
10	98-9685	1	Drain-Oil
30	107-9065	22	Bolt
40	98-9386	2	Plug
50	98-7524	2	Gasket
60	108-1401	1	Filter-Oil
70	98-7526	1	Bolt
80	105-3776	1	O-Ring
90	107-9076	1	Gauge-Oil
100	105-3713	1	Guide-Gauge, Oil

--	--	--	--



## Cylinder Head Assembly

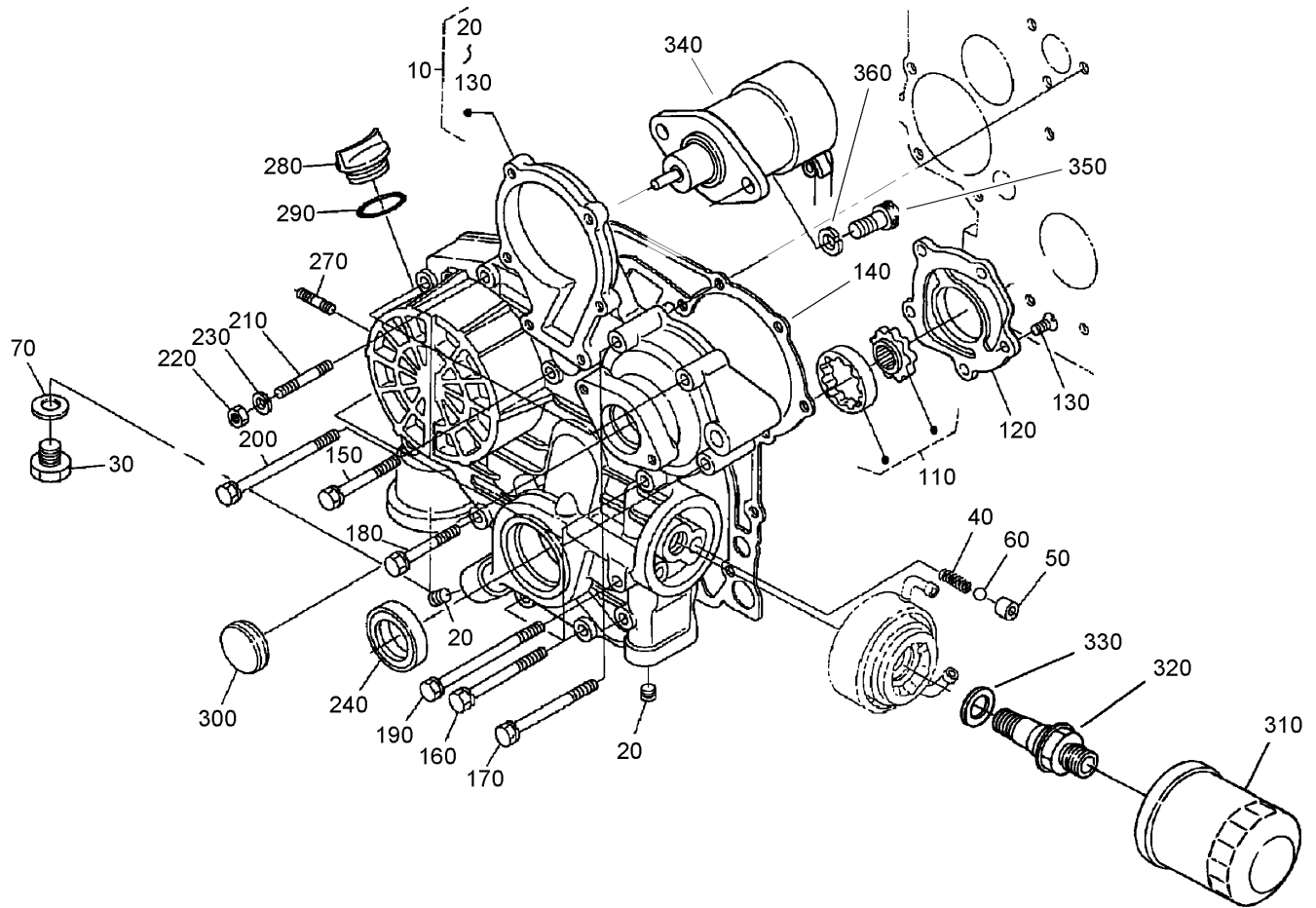
Ref	Part No.	Qty.	Description				
10	98-7531	2	Hook-Engine				
20	100-9195	2	Bolt				
30	105-3780	1	Gasket-Head, Cylinder				
40	107-7823	1	Cylinder Head ASM				
50	98-9395	1	Cap-Sealing				
60	98-7540	2	Plug				
70	107-9066	3	Guide-Valve, Inlet				
80	107-9067	3	Guide-Valve, Exhaust				
90	98-9389	2	Cap-Sealing				
100	98-9479	12	Bolt-Head, Cylinder				
110	98-9647	2	Bolt-Head, Cylinder				
120	98-7509	1	O-Ring				
130	98-9444	1	Plug				



## Head Cover Assembly

Ref	Part No.	Qty.	Description
10	98-9614	1	Cylinder Head Cover ASM
20	98-9615	1	Gasket-Cover, Head
30	98-9492	1	Joint-Pipe, Breather
40	98-9488	1	Plate-Element, Breather
50	98-9489	1	Plate-Element, Breather
60	98-9493	1	Element-Breather
70	98-9490	1	Shield-Oil, Breather
80	98-9364	2	Screw (With Washer)
90	98-9455	3	Nut-Cap
100	98-9454	3	Gasket
110	107-9075	1	Plug-Filler, Oil
120	99-3446	1	O-Ring
130	98-9491	1	Pipe-Breather

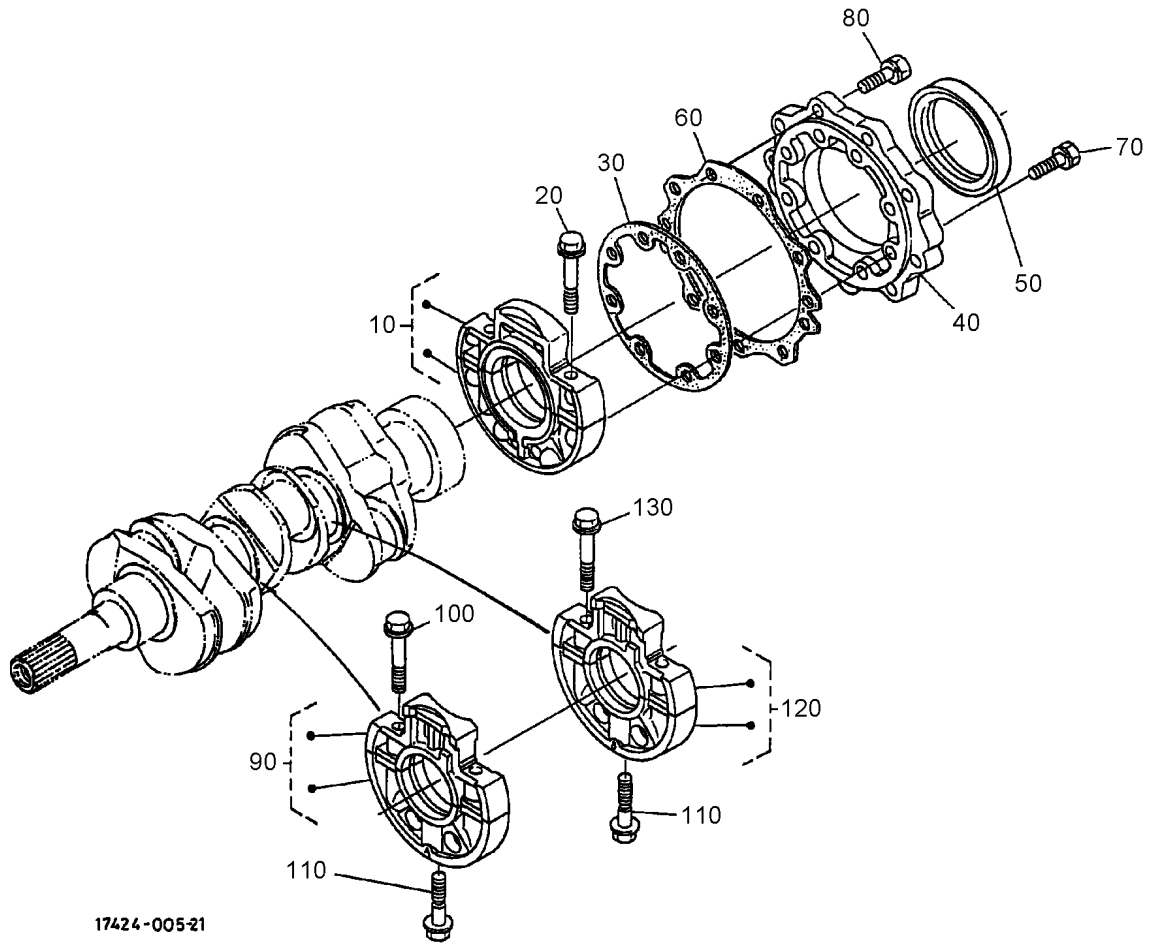
--	--	--	--



## Gear Case, Oil Filter and Stop Solenoid Assembly

Ref	Part No.	Qty.	Description
10	107-7825	1	Gear Case ASM
20	98-9598	5	Plug
30	99-3450	1	Plug
40	98-9544	1	Spring
50	98-9543	1	Seat-Valve
60	98-9380	1	Ball
70	99-3451	1	Plug-Packing
110	98-9540	1	Oil Pump Rotor ASM
120	105-3708	1	Cover-Pump, Oil
130	98-9592	5	Screw
140	98-9633	1	Gasket-Case, Gear
150	98-7496	3	Bolt
160	105-3797	4	Bolt
170	98-9356	2	Bolt
180	98-9437	1	Bolt
190	98-9586	2	Bolt
200	99-3511	1	Bolt
210	105-3709	1	Stud
220	98-7572	1	Nut
230	98-7699	1	Washer-Spring
240	98-9482	1	Seal-Oil
270	105-3710	2	Stud
280	107-9075	1	Plug-Filler, Oil
290	99-3446	1	O-Ring

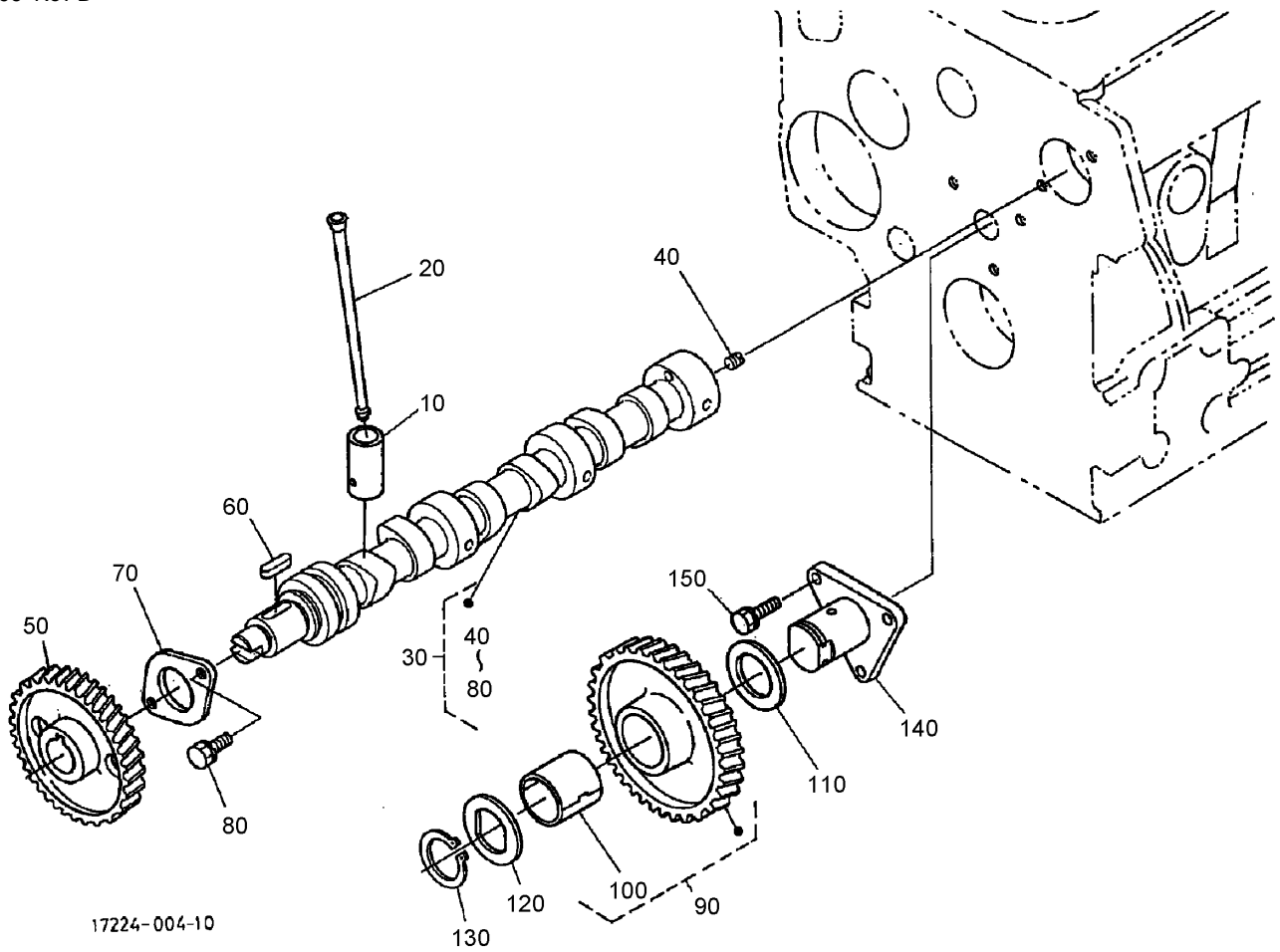
Ref	Part No.	Qty.	Description
300	98-9641	1	Cover
310	99-8384	1	Filter-Oil
320	104-5159	1	Holder ASM
330	98-9727	1	Collar
340	104-5155	1	Solenoid-Stop
350	105-3799	2	Bolt-HSH
360	98-7699	2	Washer-Spring



## Main Bearing Assembly

Ref	Part No.	Qty.	Description
10	98-9480	1	Main Bearing Case ASM
20	98-9484	2	Bolt-Case, Bearing
30	98-9634	1	Gasket-Case, Bearing
40	98-9487	1	Cover-Case, Bearing
50	98-9483	1	Seal-Oil
60	98-9635	1	Gasket-Cover, Bearing Case
70	98-9352	8	Bolt
80	98-7568	9	Bolt
90	99-8361	1	Case-Bearing, Main
100	98-9484	2	Bolt-Case, Bearing
110	98-9485	2	Bolt-Case, Bearing
120	99-8360	1	Case-Bearing, Main
130	98-9484	2	Bolt-Case, Bearing

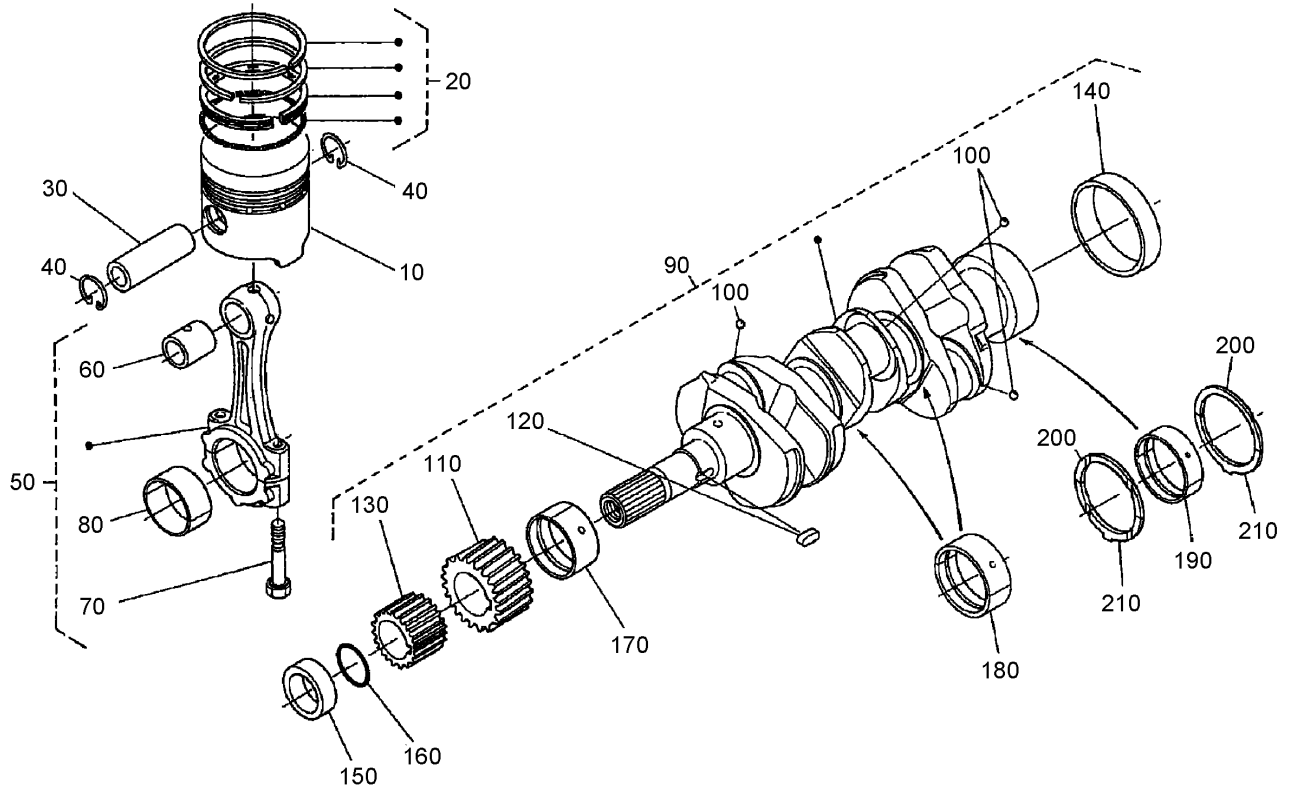
--	--	--	--



17224-004-10

## Camshaft and Idle Gear Shaft Assembly

Ref	Part No.	Qty.	Description
10	98-9616	6	Tappet
20	98-9509	6	Rod-Push
30	99-8362	1	Camshaft ASM
40	98-7449	1	Screw-Set
50	98-9512	1	Gear-Cam
60	98-9378	1	Key-Feather
70	98-9510	1	Stopper-Camshaft
80	98-7692	2	Bolt
90	98-9649	1	Idle Gear ASM
100	98-9650	1	Bushing-Gear, Idle
110	98-9535	1	Collar-Gear, Idle
120	98-9536	1	Collar-Gear, Idle
130	98-9534	1	Clip-Circular, Idle Gear
140	98-9533	1	Shaft-Gear, Idle
150	98-7692	3	Bolt

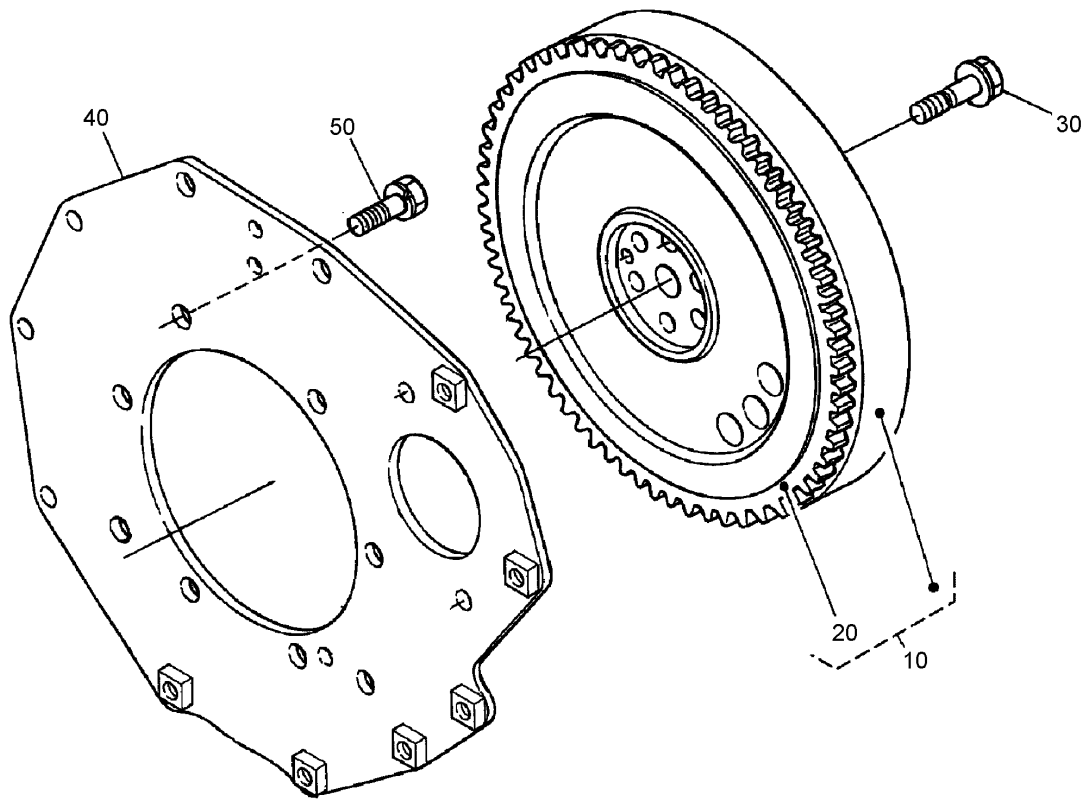



16221-009-10

## Piston and Crankshaft Assembly

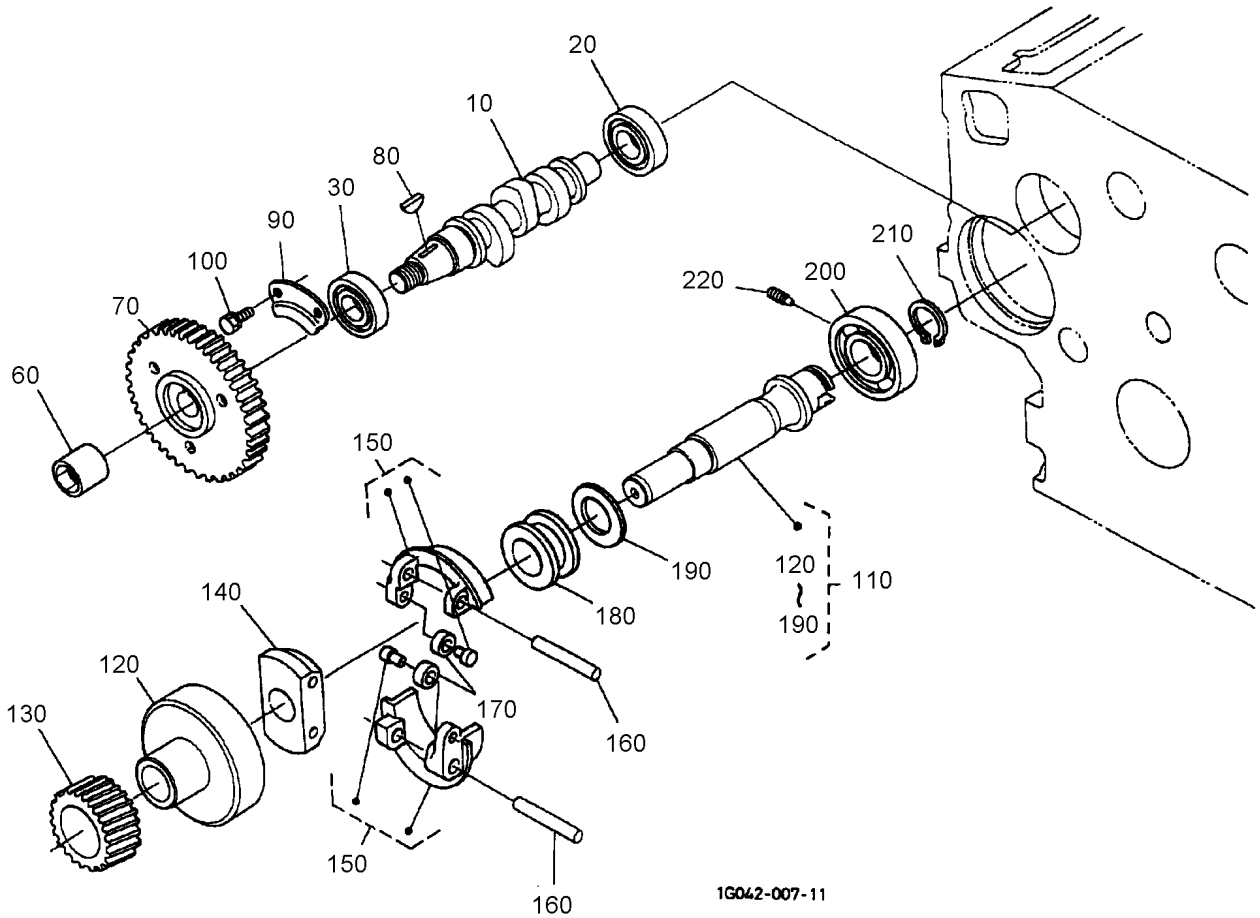
Ref	Part No.	Qty.	Description
10	98-9550	3	Piston (STD)
10	108-1417	3	Piston, 0.5Mm
20	98-9551	3	Piston Ring ASM (STD)
20	108-1404	3	Piston Ring ASM (0.5Mm)
30	98-9513	3	Pin-Piston
40	98-9514	6	Clip-Circular, Piston Pin
50	98-9552	3	Connecting Rod ASM
60	98-9515	3	Bushing-Pin, Piston
70	98-9517	6	Bolt-Rod, Connecting
80	98-9553	3	Bearing-Rod (STD)
80	108-1405	3	Metal-Crankpin, -0.2Mm
80	108-1406	3	Metal-Crankpin, -0.4Mm
90	98-9642	1	Crankshaft ASM
100	98-7473	3	Ball
110	98-9532	1	Gear-Crankshaft
120	98-9666	1	Key
130	98-9542	1	Gear-Drive, Oil Pump
140	98-9522	1	Sleeve-Crankshaft
150	98-9521	1	Collar-Crankshaft
160	105-3783	1	O-Ring
170	98-9554	1	*obs* Bearing-Main (STD)
170	108-1407	1	Metal-Crankpin, -0.2Mm
170	108-1408	1	Metal-Crankpin, -0.4Mm
180	98-9555	2	Bearing-Main (STD)

Ref	Part No.	Qty.	Description
180	108-1409	2	Metal-Crankpin, -0.2Mm
180	108-1410	2	Metal-Crankpin, -0.4Mm
190	98-9556	1	Bearing-Main (STD)
190	105-3719	1	Metal-Crankshaft (.2Mm)
190	105-3720	1	Metal-Crankshaft (.4Mm)
200	99-6864	2	Metal-Side (STD)
200	99-6865	2	Metal-Side, O/S (0.2Mm)
200	99-6866	2	Metal-Side, O/S (0.4Mm)
210	99-6867	2	Metal-Side (STD)
210	99-6868	2	Metal-Side, O/S (0.2Mm)
210	99-6869	2	Metal-Side, O/S (0.4Mm)



### Flywheel Assembly

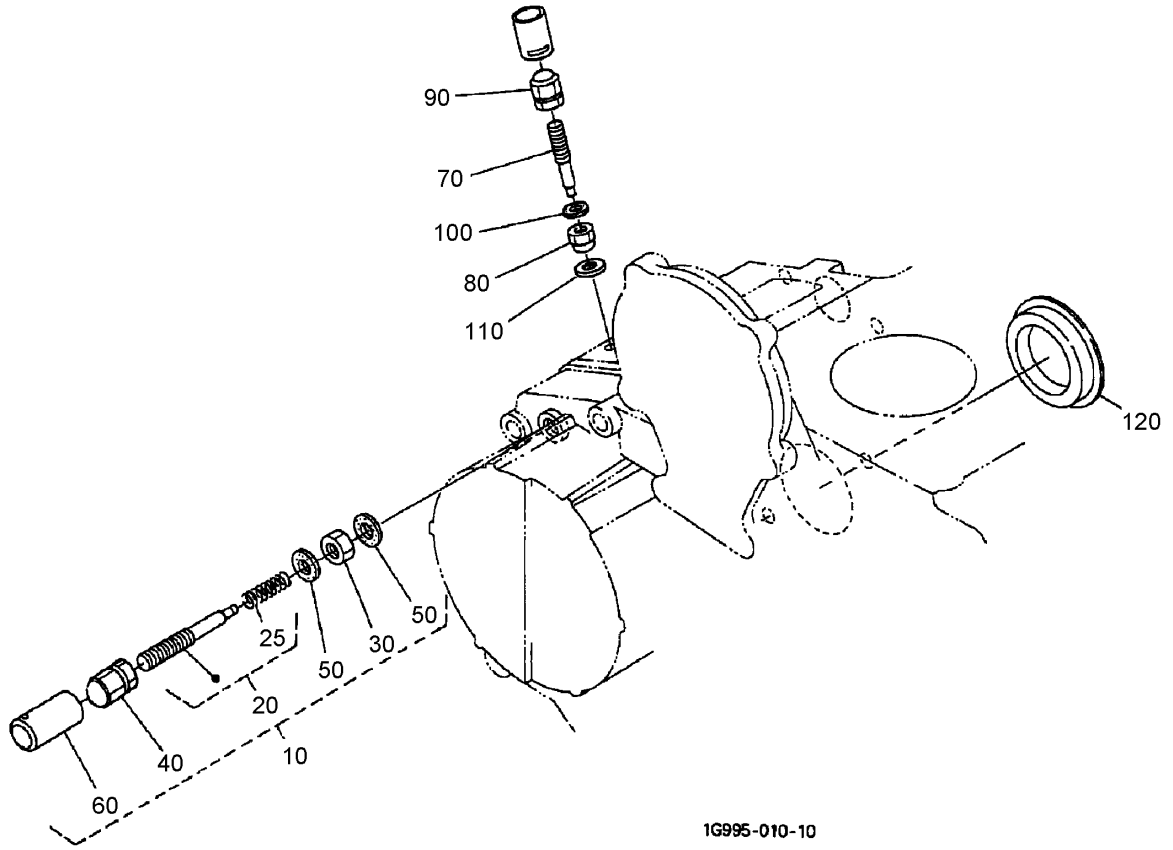
Ref	Part No.	Qty.	Description
10	105-3784	1	Flywheel ASM
20	105-3722	1	Gear-Ring
30	98-9537	6	Bolt-Flywheel
40	98-9486	1	Plate-End, Rear
50	98-9392	8	Bolt



1G042-007-11

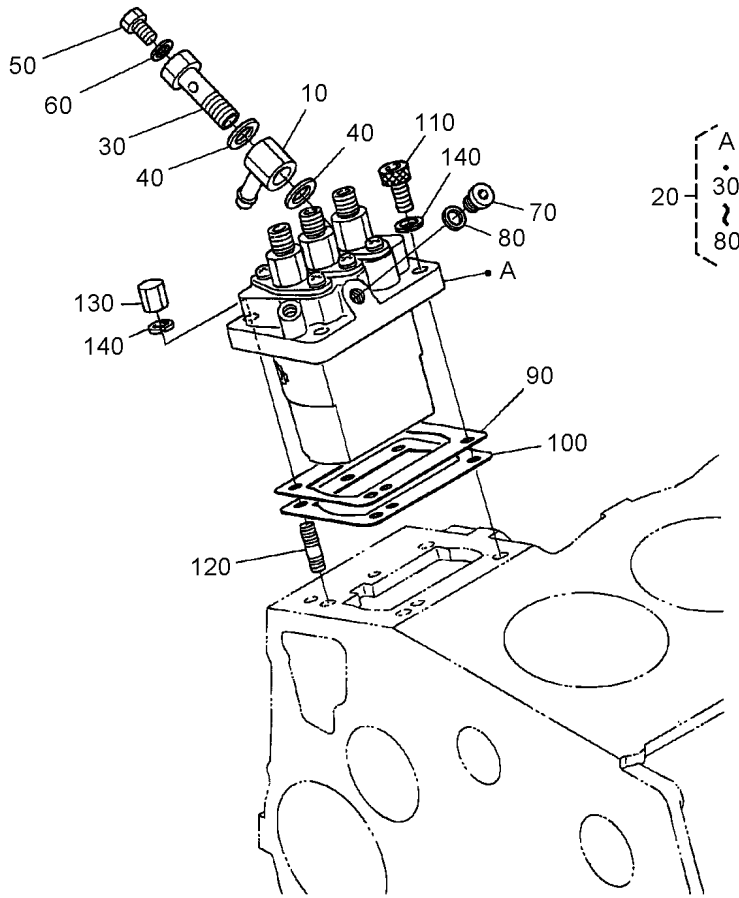
## Fuel Camshaft and Governor Shaft Assembly

Ref	Part No.	Qty.	Description
10	98-9459	1	Camshaft-Fuel
20	107-9077	1	Bearing-Ball
30	107-9078	1	Bearing-Ball
60	98-9590	1	Nut-Cap
70	98-9669	1	Gear-Pump, Injection
80	98-9595	1	Key-Woodruff
90	98-9511	1	Stopper-Fuel, Camshaft
100	98-7692	2	Bolt
110	98-9644	1	Governor Shaft ASM
120	98-9562	1	Holder-Gear, Governor
130	98-9673	1	Gear-Governor
140	98-9561	1	Holder-Weight, Governor
150	98-9559	2	Governor Weight ASM
160	98-9560	2	Shaft-Weight, Governor
170	98-9692	2	Roller
180	98-9563	1	Sleeve-Governor
190	98-9564	1	Washer-Thrust
200	107-9079	1	Bearing-Ball
210	98-9657	1	Clip-Circular, Governor Shaft
220	98-9565	1	Screw-Set

### Idle Apparatus Assembly

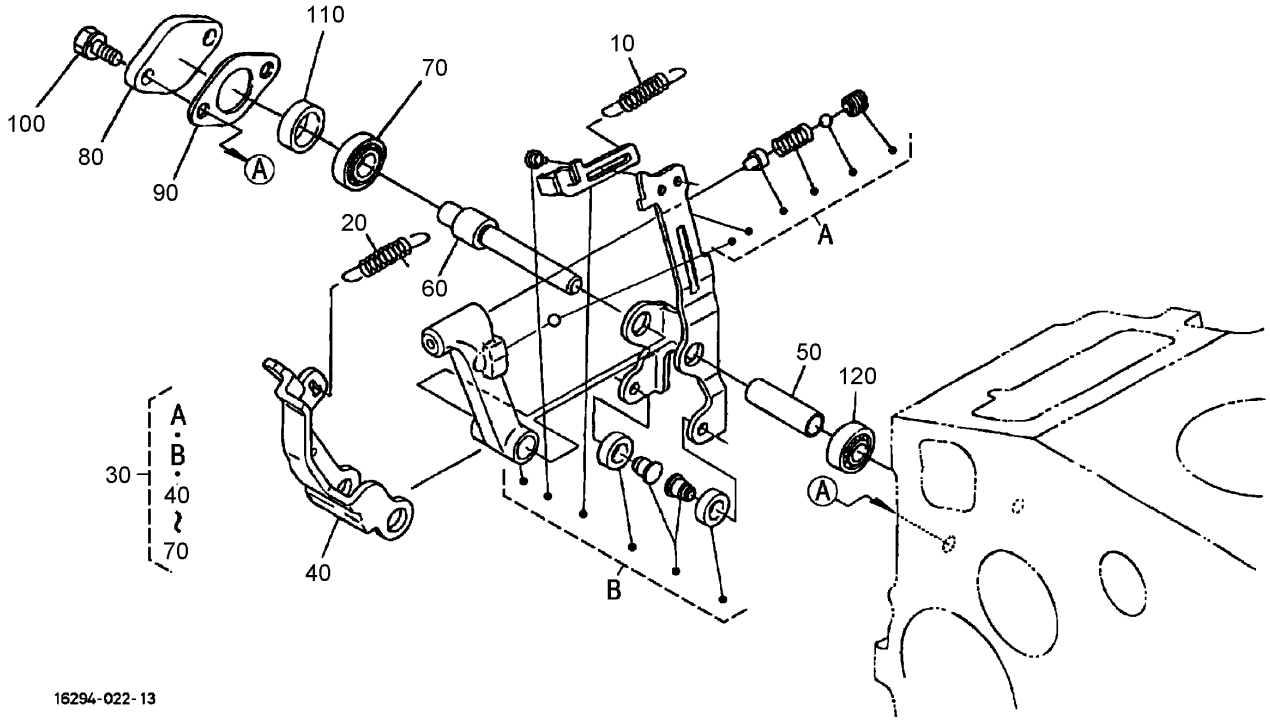
Ref	Part No.	Qty.	Description				
10	105-3726	1	Idle Apparatus ASM				
20	104-4802	1	Adjusting Bolt ASM				
25	107-9080	1	Spring				
30	98-9439	1	Nut				
40	99-8387	1	Nut-Cap				
50	98-7654	2	Gasket				
60	98-7656	1	Cap				
70	98-9557	1	Bolt-Adjusting				
80	100-2175	1	Nut-Lock				
90	99-8387	1	Nut-Cap				
100	98-7654	1	Gasket				
110	107-9081	1	Gasket				
120	98-9640	1	Cover-Pump				



1G682-016-10

## Injection Pump Assembly

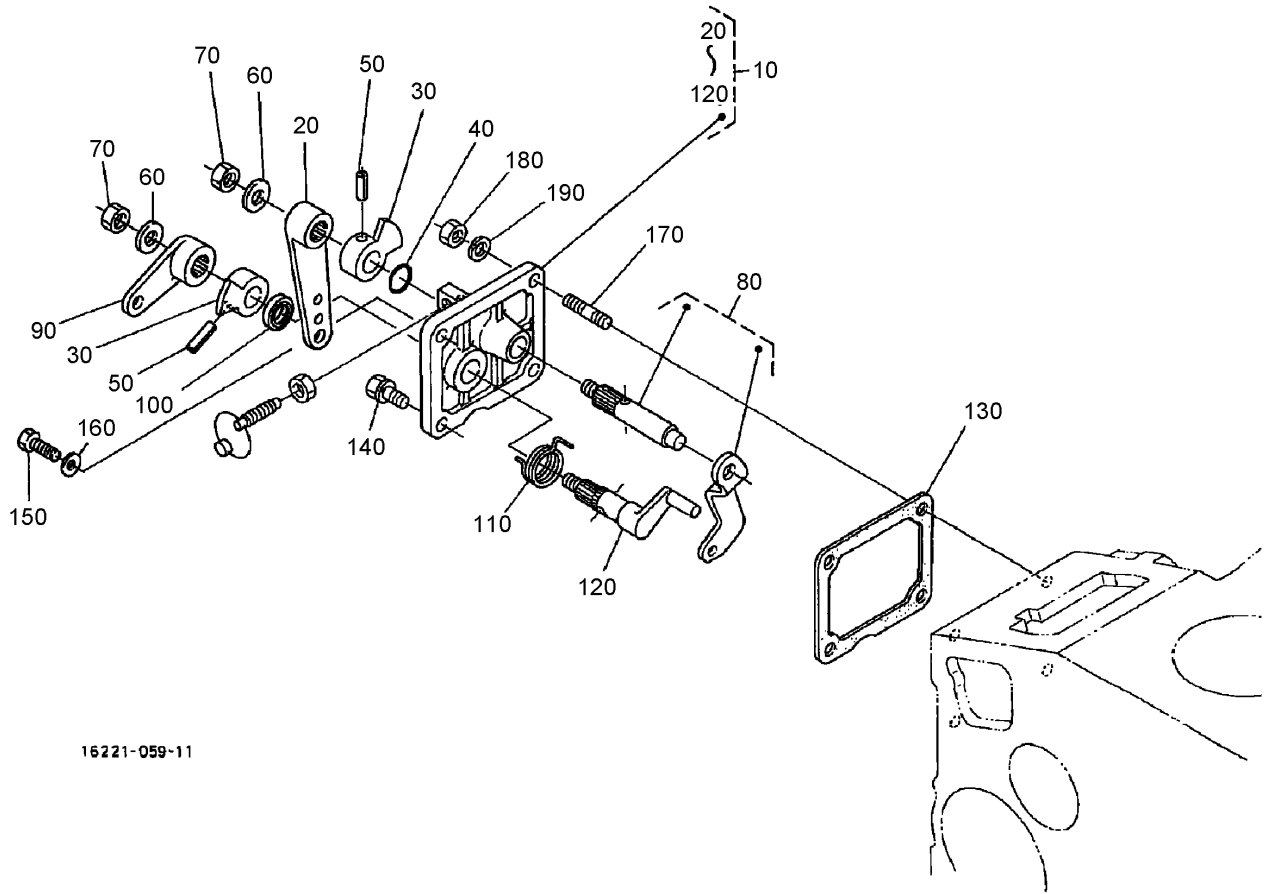
Ref	Part No.	Qty.	Description				
10	98-9596	1	Joint-Eye				
20	98-9643	1	Injection Pump ASM				
30	98-9464	1	Bolt-Joint				
40	98-9445	2	Gasket				
50	98-9430	1	Screw				
60	98-9446	1	Gasket				
70	98-9466	1	Plug				
80	98-9451	1	Gasket				
90	98-9457	1	Shim-Injection (0.25Mm)				
90	98-9456	1	Shim (0.2Mm)				
100	98-9458	1	Shim-Injection (0.30Mm)				
110	98-9361	2	Bolt-HSH				
120	98-9438	2	Stud				
130	98-9440	2	Nut-Cap				
140	98-7699	4	Washer-Spring				



16294-022-13

# Governor Assembly

Ref	Part No.	Qty.	Description
10	105-3786	1	Spring-Start
20	98-9681	1	Spring-Governor
30	107-9082	1	Fork Lever ASM
40	107-9084	1	Lever-Fork
50	107-9085	1	Shaft-Lever, Fork
60	107-9086	1	Shaft-Lever, Fork
70	98-9570	1	Bearing-Miniaturize
80	98-9569	1	Cover-Shaft, Fork Lever
90	98-9682	1	Gasket
100	98-9351	2	Bolt
110	98-9567	1	Collar
120	98-9571	1	Bearing-Miniaturize

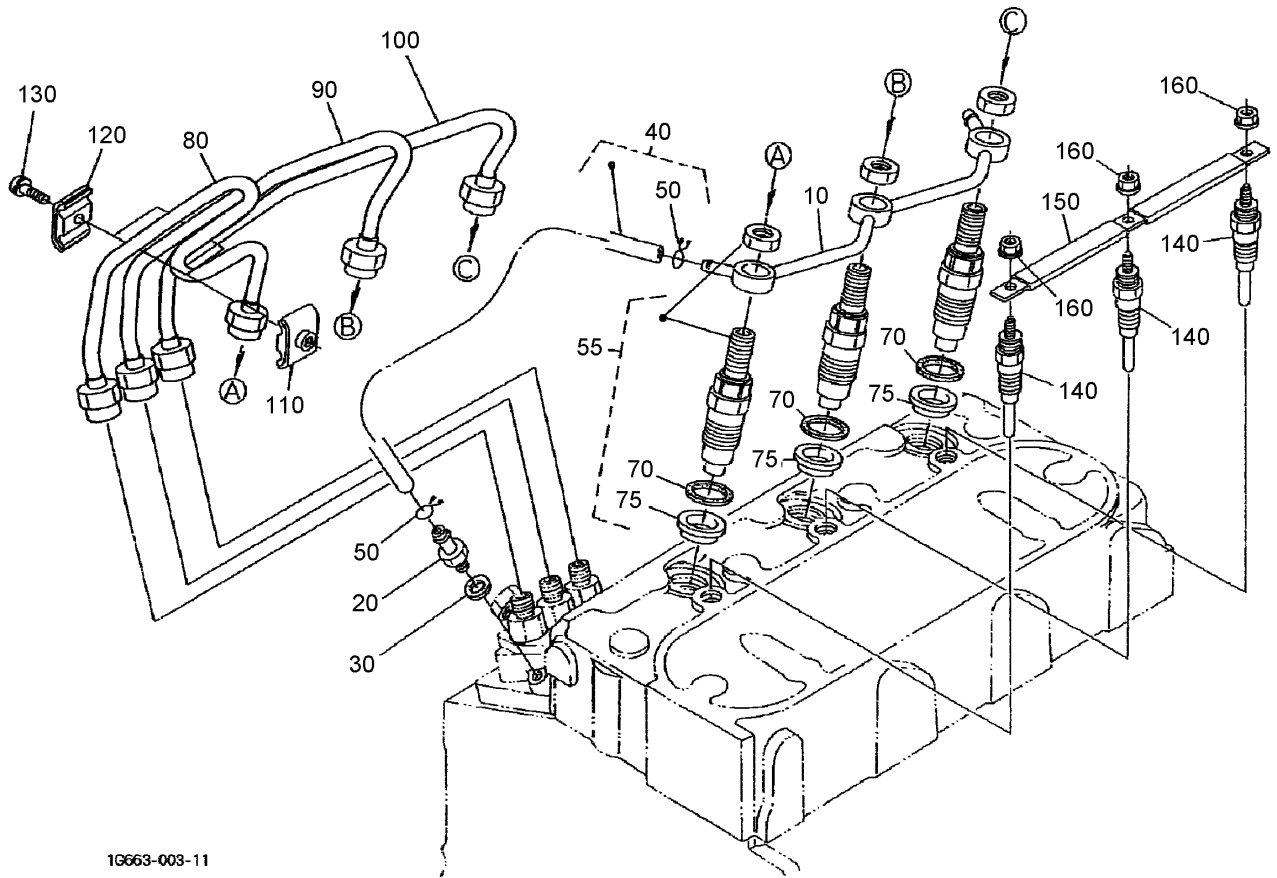



16221-059-11

## Speed Control Plate Assembly

Ref	Part No.	Qty.	Description
10	105-3735	1	Control Plate ASM
20	98-9662	1	Lever-Control, Speed
30	98-9572	2	Lever-Control, Speed
40	105-3788	1	O-Ring
50	98-7602	2	Pin-Spring
60	98-9594	2	Washer-Plain
70	98-9589	2	Nut
80	98-9658	1	Governor Lever ASM
90	98-9663	1	Lever-Stop, Engine
100	98-7601	1	Seal-Oil
110	98-9472	1	Spring-Return
120	98-9664	1	Shaft-Lever, Stop
130	98-9637	1	Gasket
140	98-7692	1	Bolt
150	99-8348	1	Bolt
160	98-7654	1	Gasket
170	105-3710	2	Stud
180	98-7572	2	Nut
190	98-7699	2	Washer-Spring

--	--	--	--

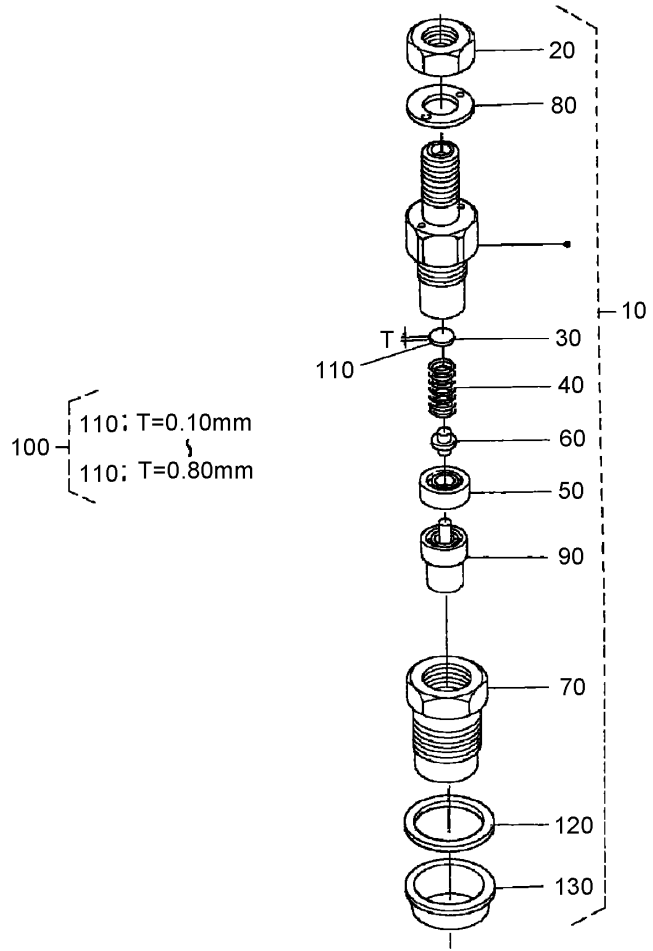


1G663-003-11

## Nozzle Holder and Glow Plug Assembly

Ref	Part No.	Qty.	Description
10	98-9621	1	Overflow Pipe ASM
20	98-9431	1	Screw-Bleeder
30	98-7654	1	Gasket
40	98-9624	1	Overflow Pipe ASM
50	98-7672	2	Clip-Pipe
55	108-2866	3	Nozzle Holder Kit
70	98-7676	3	Gasket
75	98-7677	3	Seal
80	98-9622	1	Pipe-Injection
90	98-9654	1	Pipe-Injection
100	98-9655	1	Pipe-Injection
110	98-7682	2	Clamp-Pipe
120	98-7683	2	Clamp-Pipe
130	98-7684	2	Screw (W/Washer)
140	98-9623	3	Plug-Glow
150	98-9631	1	Cord-Plug, Glow
160	99-8377	3	Nut-Flange

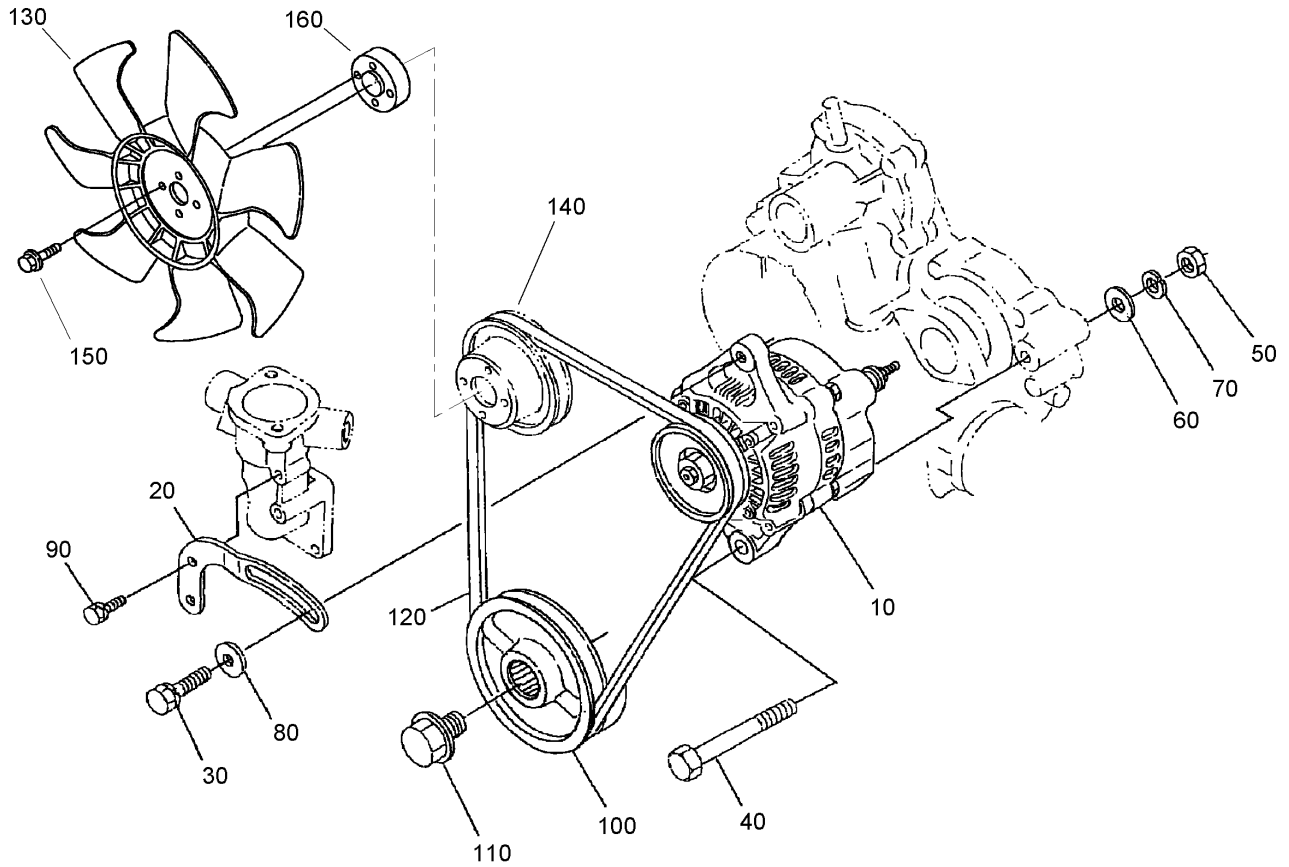
--	--	--	--



1G347-015-10

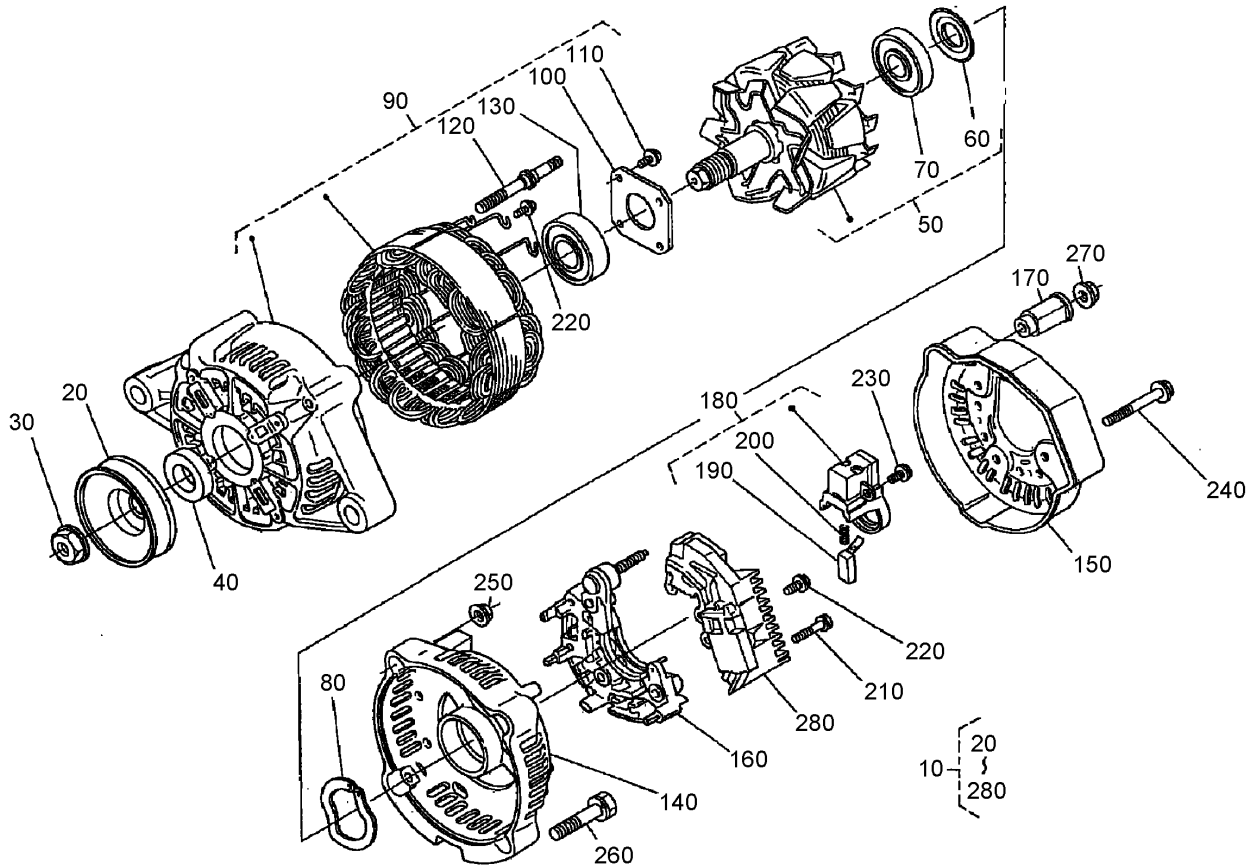
## Nozzle Holder Assembly

Ref	Part No.	Qty.	Description
10	108-2866	3	Nozzle Holder Kit
20	99-8301	3	Nut
30	99-8302	3	Washer-Adjusting
40	99-8303	3	Spring-Nozzle
50	99-8304	3	Spacer-Distance
60	99-8305	3	Rod-Push
70	99-8306	3	Nut-Nozzle
80	99-8307	3	Washer-Plain
90	107-7826	3	Piece-Nozzle
100	99-8309	3	Adjusting Washer ASM
110	99-8310	3	Washer-Adjust (0.10Mm)
110	99-8311	3	Washer-Adjust (0.20Mm)
110	99-8312	3	Washer-Adjust (0.30Mm)
110	99-8313	3	Washer-Adjust (0.40Mm)
110	99-8314	3	Washer-Adjust (0.50Mm)
110	99-8315	3	Washer-Adjust (0.52Mm)
110	99-8316	3	Washer-Adjust (0.54Mm)
110	99-8317	3	Washer-Adjust (0.56Mm)
110	99-8318	3	Washer-Adjust (0.58Mm)
110	99-8319	3	Washer-Adjust (0.80Mm)
120	98-7676	3	Gasket
130	98-7677	3	Seal

## Alternator and Pulley Assembly

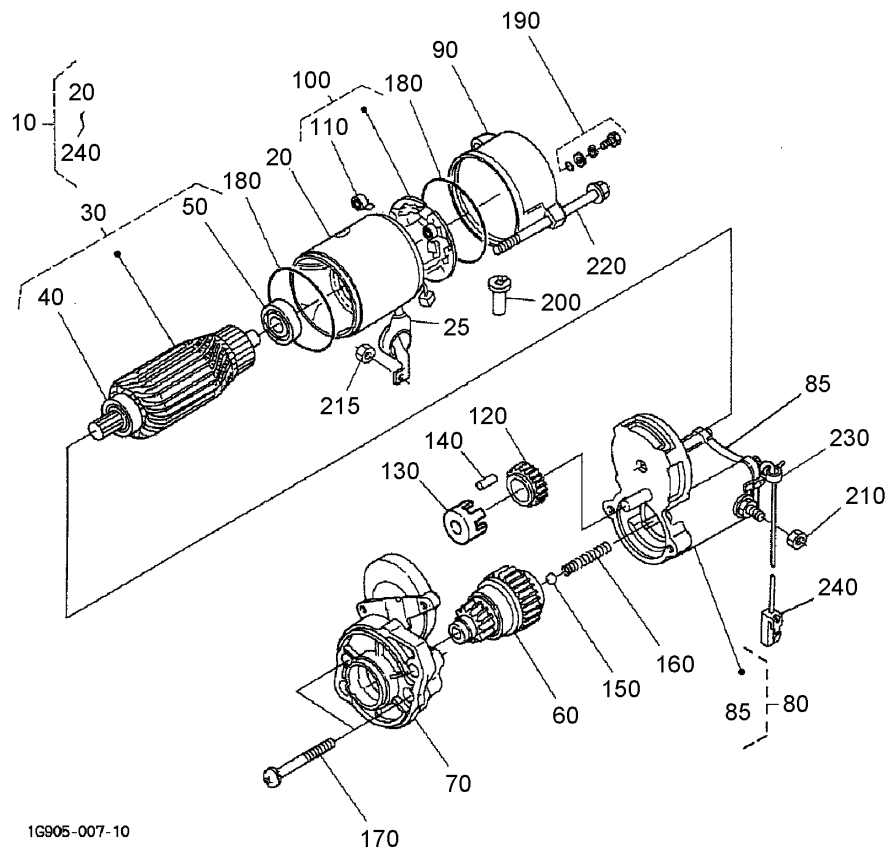
Ref	Part No.	Qty.	Description
10	98-9474	1	Alternator ASM
20	98-9573	1	Stay-Dynamo
30	98-7697	1	Bolt
40	98-9360	1	Bolt
50	98-7737	1	Nut
60	98-9366	1	Washer-Plain
70	98-7738	1	Washer-Spring
80	100-9233	1	Washer-Plain
90	98-7692	1	Bolt
100	99-3456	1	Pulley-Drive, Fan
110	98-9585	1	Bolt
120	98-9676	1	V-Belt
130	104-4246	1	Fan-Engine
140	98-9584	1	Pulley-Fan
150	108-2873	4	Bolt-Flange
160	108-2872	1	Collar-Fan



## Alternator (Component Part) Assembly

Ref	Part No.	Qty.	Description
10	98-9474	1	Alternator ASM
20	98-9453	1	Pulley-Dynamo
30	98-7708	1	Nut
40	98-7709	1	Collar
50	107-0136	1	Rotor
60	98-7711	1	Cover-Bearing
70	107-0138	1	Bearing-Ball
80	98-7713	1	Washer-Thrust
90	107-0139	1	Drive End Frame ASM
100	98-7715	1	Plate-Retainer
110	98-7716	4	Screw-Head, Round
120	98-7717	2	Bolt-Through
130	107-0137	1	Bearing-Ball
140	107-9087	1	Frame-End
150	107-0140	1	Cover-End
160	98-9476	1	Rectifier ASM
170	98-7722	1	Bushing-Insulation
180	107-0141	1	Holder-Brush
190	98-7724	2	Brush
200	98-7725	2	Spring-Brush
210	98-7726	2	Screw-Head, Round
220	98-7727	6	Screw-Head, Round
230	98-7728	1	Screw-Head, Round
240	98-7729	3	Bolt

Ref	Part No.	Qty.	Description
250	98-7730	2	Nut
260	98-7731	2	Bolt
270	98-7732	1	Nut
280	107-9088	1	Regulator ASM

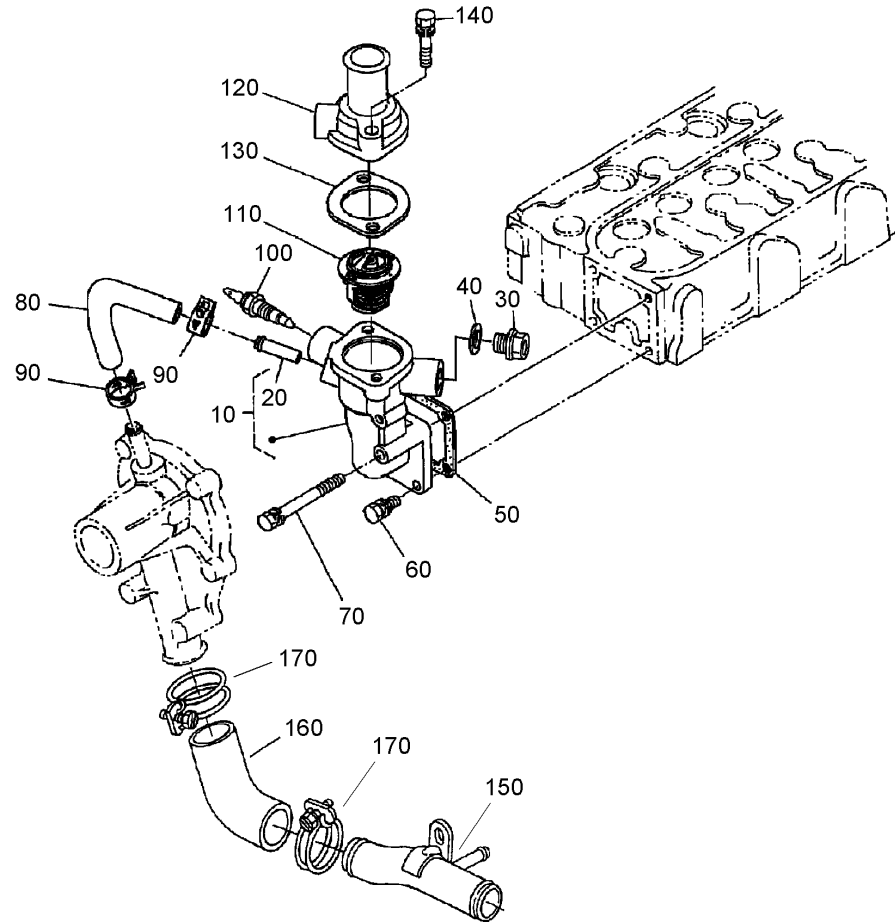


1G905-007-10

## Starter (Component Part) Assembly No. 98-9705

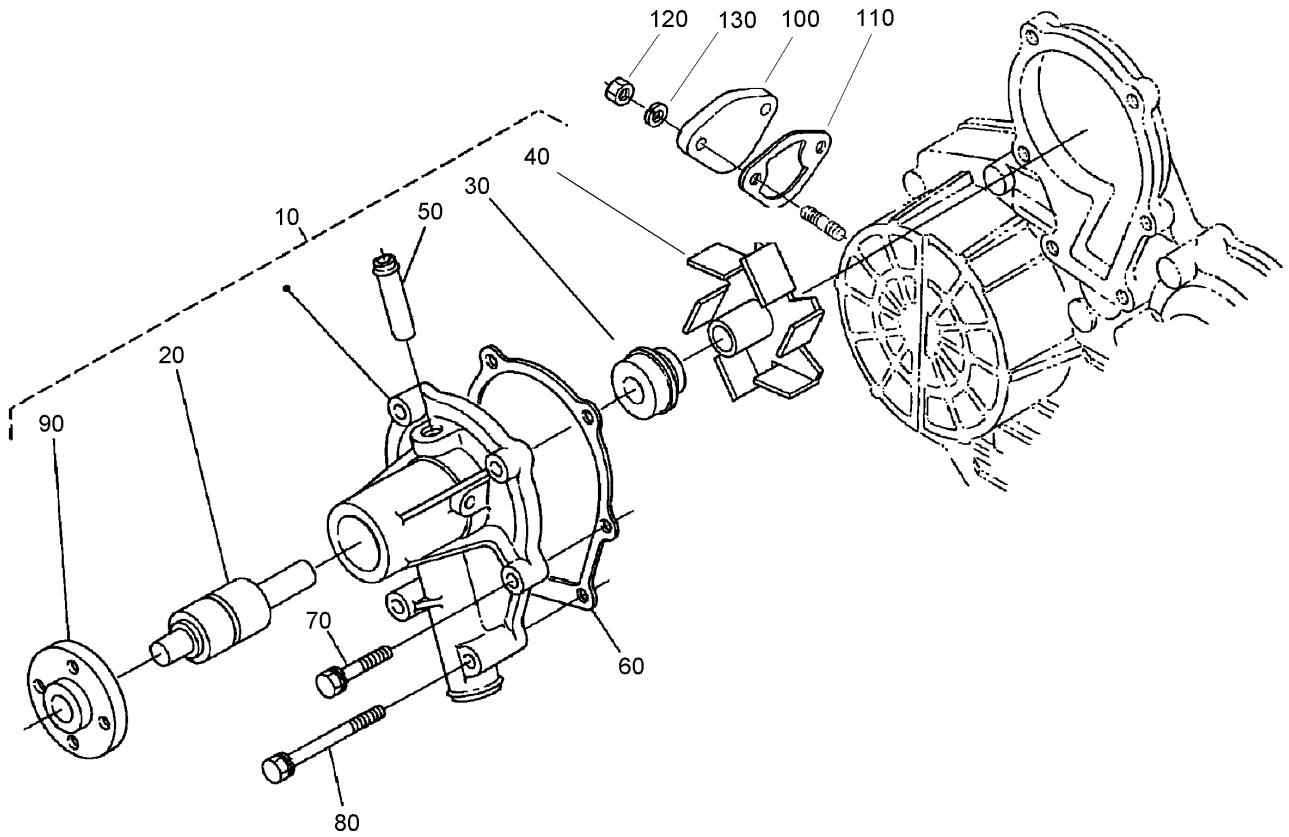
Ref	Part No.	Qty.	Description
10	98-9705	1	Starter ASM
20	104-8608	1	Yoke ASM
25	99-8375	1	Cover
30	98-7742	1	Armature ASM
40	98-7744	1	Bearing
50	98-7743	1	Bearing
60	99-8373	1	Clutch-Running, Over
70	99-8374	1	Frame-End, Drive
80	105-3746	1	Magnetic Switch ASM
85	105-2886	1	Cover ASM
90	98-7748	1	Frame-End
100	98-7749	1	Brush Holder ASM
110	98-7750	4	Spring-Brush
120	98-7751	1	Gear
130	98-7752	1	Retainer
140	98-7753	5	Roller
150	98-7755	1	Ball
160	98-7754	1	Spring
170	98-7756	2	Bolt
180	98-7757	2	O-Ring
190	98-7758	2	Bolt ASM
200	98-7759	1	Pipe-Drain
210	99-8371	1	Nut-Hex
215	99-8376	1	Nut-Hex

Ref	Part No.	Qty.	Description
220	100-9240	2	Bolt
230	98-9712	1	Band-Cover
240	98-9711	1	Cord-Solenoid, Stop



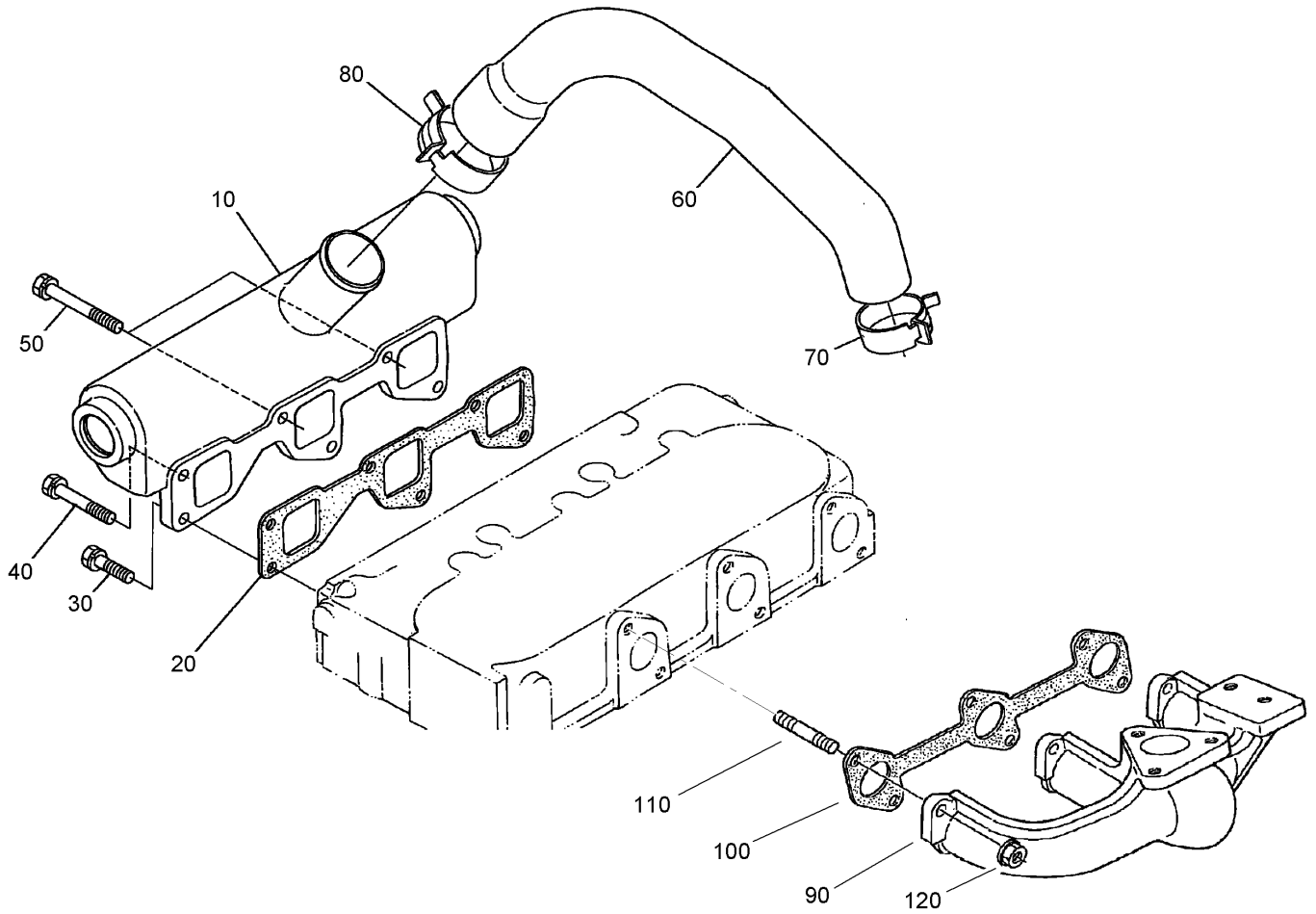
## Water Flange and Thermostat Assembly

Ref	Part No.	Qty.	Description
10	98-9713	1	Water Flange ASM
20	98-9580	1	Pipe-Return, Water
30	105-3747	1	Plug
40	99-3583	1	Packing
50	98-9638	1	Gasket-Flange, Water
60	98-7692	3	Bolt
70	98-9356	1	Bolt
80	98-9578	1	Pipe-Return, Water
90	98-9579	2	Band-Pipe
100	98-9719	1	Thermoswitch
110	98-7778	1	Thermostat ASM
120	104-4804	1	Outlet-Water
130	105-3748	1	Gasket-Thermostat
140	98-7777	2	Bolt
150	99-8379	1	Pipe-Water
160	107-9091	1	Pipe-Water
170	98-9717	2	Clamp



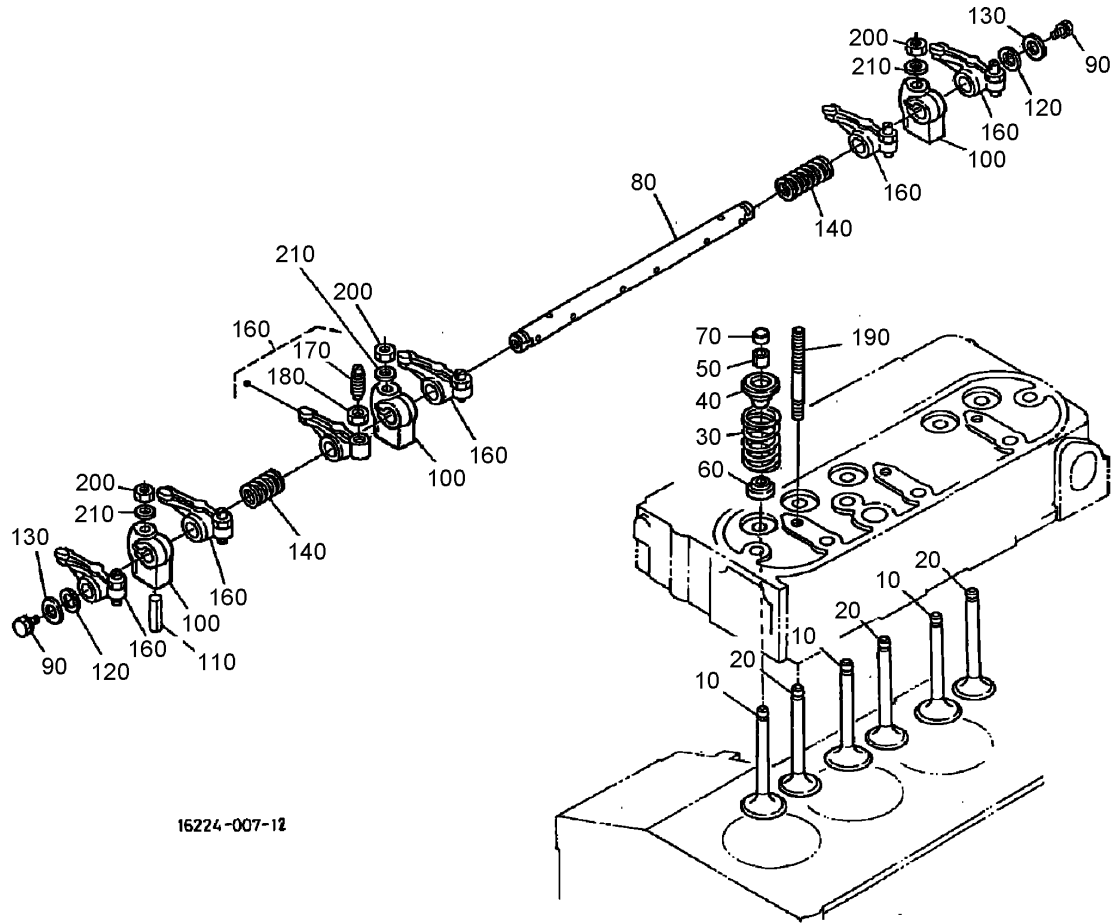
### Water Pump Assembly

Ref	Part No.	Qty.	Description
10	107-9089	1	Water Pump ASM
20	99-3517	1	Bearing-Pump, Water
30	105-3750	1	Mechanical Seal ASM
40	99-3519	1	Impeller-Pump, Water
50	98-9577	1	Pipe-Return, Water
60	99-3454	1	Gasket-Pump, Water
70	98-9353	4	Bolt
80	98-9357	2	Bolt
90	99-3516	1	Flange-Pump, Water
100	99-3514	1	Cover
110	98-9636	1	Gasket-Pump, Fuel
120	98-7572	2	Nut
130	98-7699	2	Washer-Spring



### Inlet and Exhaust Manifold Assembly

Ref	Part No.	Qty.	Description
10	99-8321	1	Manifold-Inlet
20	99-8329	1	Gasket-Manifold, Intake
30	98-7568	3	Bolt
40	107-9073	1	Bolt
50	99-8320	2	Bolt
60	99-8323	1	Hose-Inlet
70	99-8324	1	Band-Pipe
80	99-8322	1	Band-Pipe
90	108-1411	1	Manifold-Exhaust
100	98-9610	1	Gasket
110	98-9588	6	Stud
120	98-9665	6	Nut

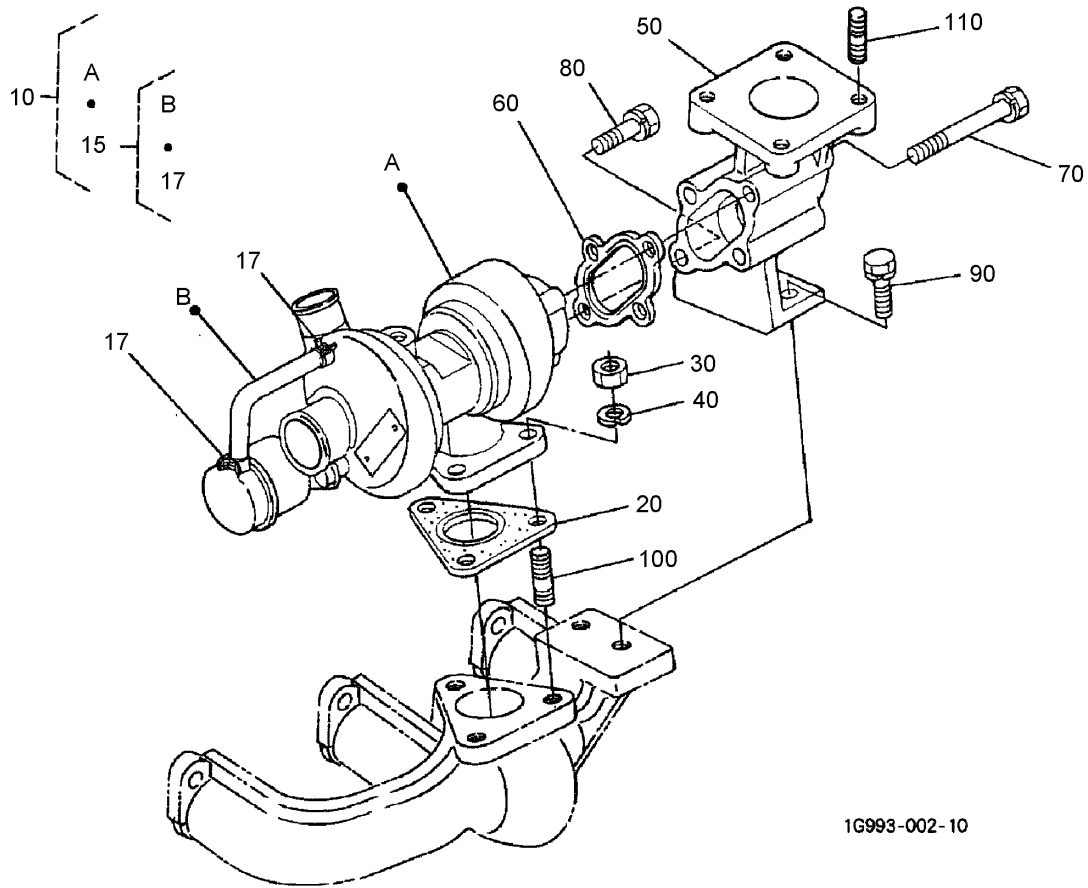



16224-007-12

### Valve Rocker Arm Assembly

Ref	Part No.	Qty.	Description
10	98-9494	3	Valve-Inlet
20	98-9625	3	Valve-Exhaust
30	98-9626	6	Spring-Valve
40	107-9092	6	Retainer-Spring
50	98-9390	6	Collet-Set, Valve Spring
60	99-8385	6	Seat-Stem, Valve
70	98-9497	6	Cap-Valve
80	105-3790	1	R-Arm Shaft ASM
90	100-9265	2	Bolt
100	98-9505	3	Bracket-Arm, Rocker
110	105-3758	1	Pin-Spring
120	98-9507	2	Washer-Shaft, R-Arm
130	100-1927	2	Washer-Plain
140	98-9504	2	Spring-Arm, Rocker
160	98-9501	6	Rocker Arm ASM
170	98-9502	6	Screw-Adjusting
180	98-9503	6	Nut
190	98-9506	3	Stud
200	98-9393	3	Nut
210	98-9385	3	Washer-Flat

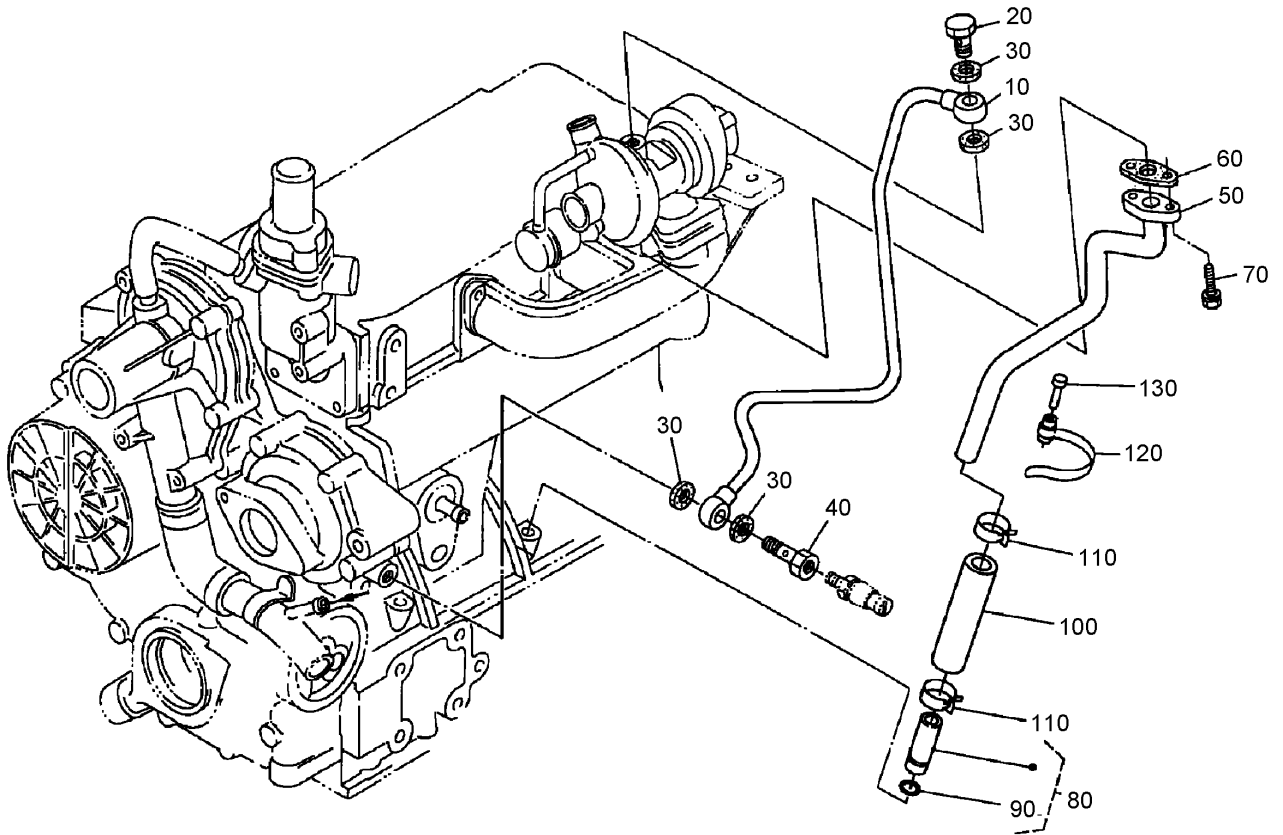
--	--	--	--



1G993-002-10

### Turbo Charger Assembly

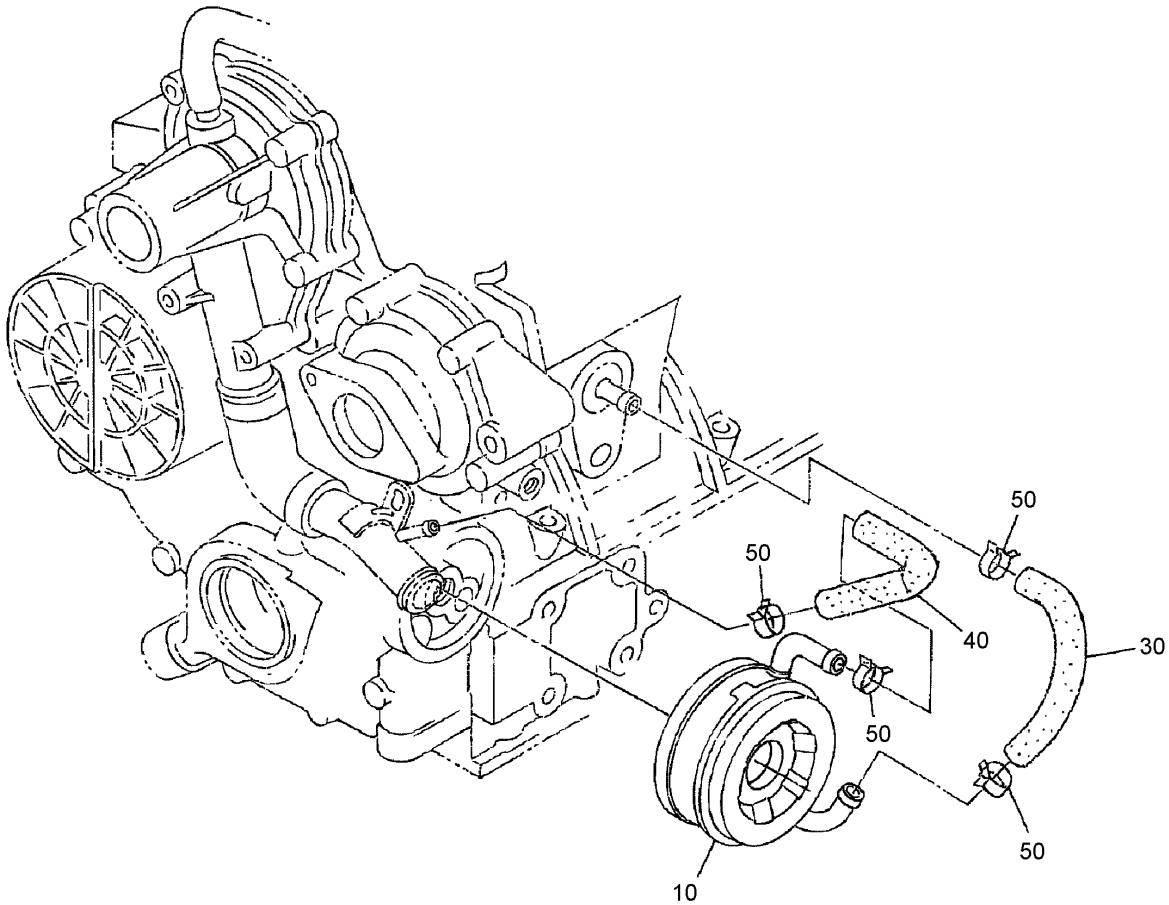
Ref	Part No.	Qty.	Description
10	108-1412	1	Turbo Charger ASM
15	108-1413	1	Hose ASM
17	108-1414	2	Clamp-Hose
20	105-3767	1	Gasket
30	98-7534	3	Nut
40	98-7535	3	Washer-Spring
50	99-8335	1	Flange-Muffler
60	105-3768	1	Gasket
70	105-2894	3	Bolt
80	105-2895	1	Bolt
90	98-7610	2	Bolt
100	99-8341	3	Stud
110	98-7769	4	Stud



MS35-018-10

## Turbo Charger Oil Pipe Assembly

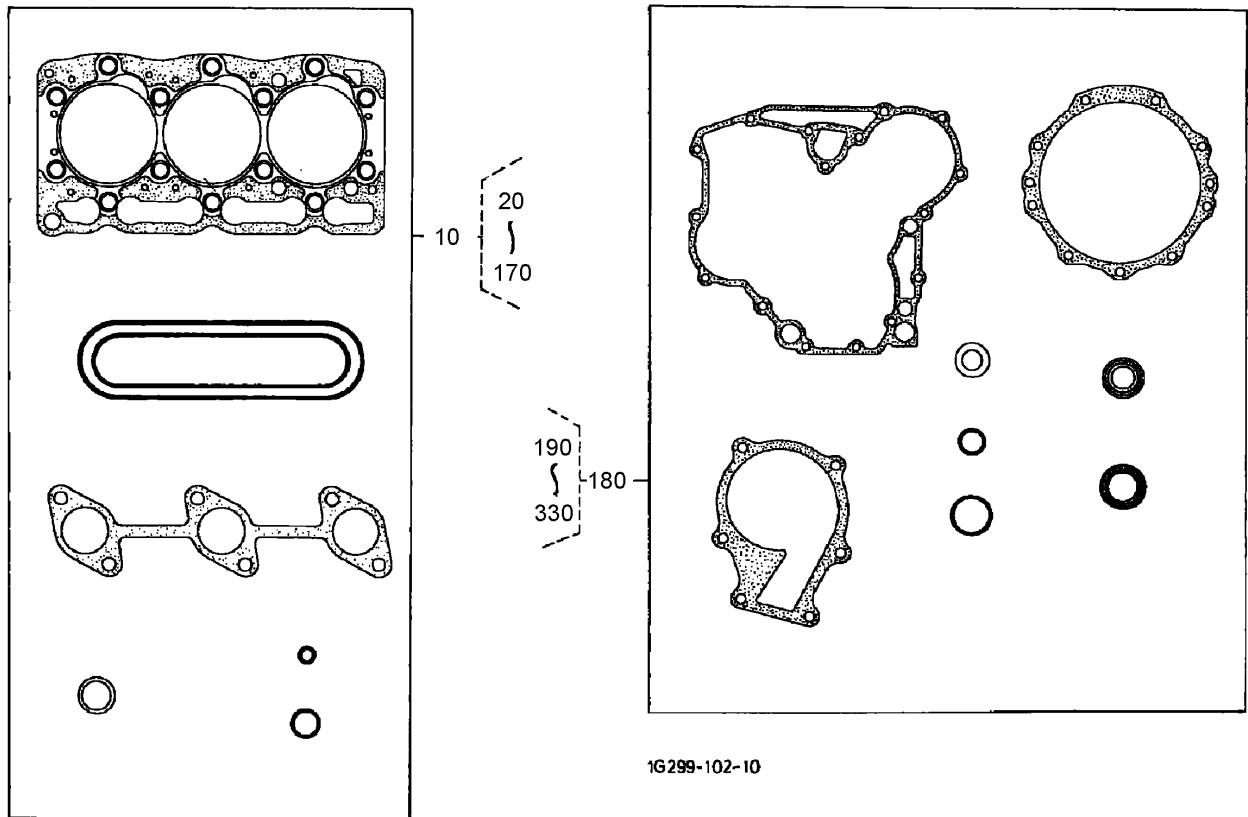
Ref	Part No.	Qty.	Description
10	98-9419	1	Oil Pipe ASM
20	98-9418	1	Bolt-Joint, Eye
30	99-8346	4	Gasket
40	98-9417	1	Bolt-Joint, Eye
50	98-9461	1	Pipe Line ASM
60	98-9435	1	Gasket-Oil Return, Turbo
70	98-7605	2	Bolt
80	99-8383	1	Oil Pipe ASM
90	98-9374	1	O-Ring
100	98-9721	1	Pipe-Oil
110	98-9714	2	Clamp-Hose
120	98-9601	1	Clamp-Pipe
130	98-9591	1	Pin-Band

1G643-006-10

### Oil Cooler Assembly

Ref	Part No.	Qty.	Description
10	104-5158	1	Oil Cooler ASM
30	98-9724	1	Pipe-Cooler, Oil
40	98-9578	1	Pipe-Return, Water
50	98-9579	4	Band-Pipe

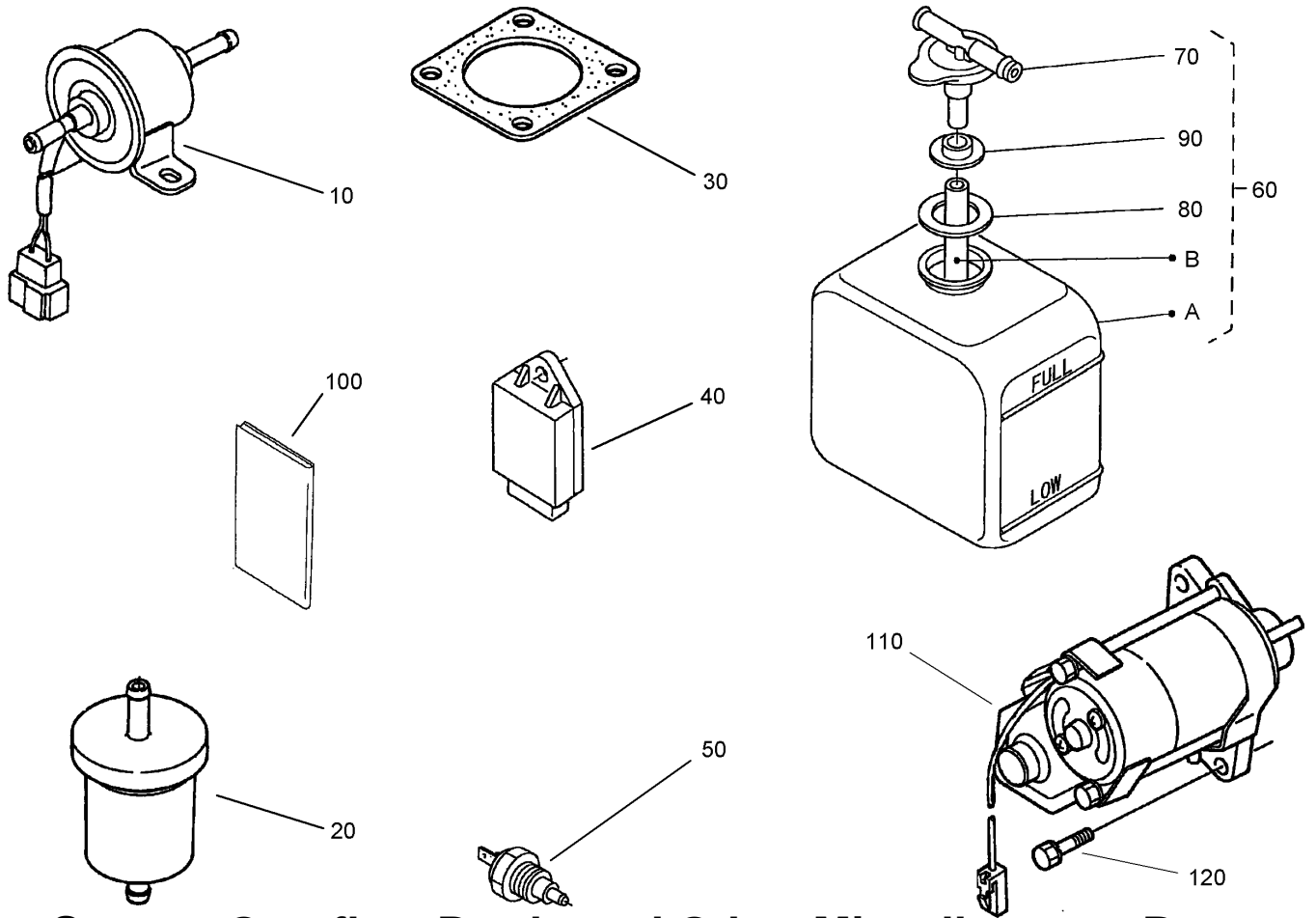



1G299-102-10

## Gasket Kit Assembly

Ref	Part No.	Qty.	Description
10	108-1415	1	Upper Gasket Kit
●20	98-7538	1	Cap-Sealing
●30	105-3780	1	Gasket-Head, Cylinder
●40	99-8329	1	Gasket-Manifold, Intake
●50	105-3767	1	Gasket
●60	105-3768	1	Gasket
●70	98-9610	1	Gasket
●80	99-8385	6	Seat-Stem, Valve
●90	98-9615	1	Gasket-Cover, Head
●100	98-9454	3	Gasket
●110	99-3446	1	O-Ring
●120	99-8346	4	Gasket
●130	98-9435	1	Gasket-Oil Return, Turbo
●140	98-9374	1	O-Ring
●150	98-9638	1	Gasket-Flange, Water
●160	105-3748	1	Gasket-Thermostat
●170	98-9611	1	Gasket
180	108-1416	1	Lower Gasket Kit
●190	98-9632	1	Gasket-Pump, Water
●200	98-9633	1	Gasket-Case, Gear
●210	105-3781	2	O-Ring
●220	105-3777	2	O-Ring
●230	98-9634	1	Gasket-Case, Bearing
●240	98-9635	1	Gasket-Cover, Bearing Case

Ref	Part No.	Qty.	Description
●250	105-3783	1	O-Ring
●260	105-3776	1	O-Ring
●270	98-9729	1	O-Ring
●280	98-9636	1	Gasket-Pump, Fuel
●290	98-9682	1	Gasket
●300	105-3788	1	O-Ring
●310	98-7601	1	Seal-Oil
●320	98-9637	1	Gasket
●330	98-9683	1	Gasket-Cover, Solenoid



## Starter, Overflow Bottle and Other Miscellaneous Part Assembly

Ref	Part No.	Qty.	Description
10	107-0122	1	Pump-Fuel, Electric
20	98-7612	1	Filter-Fuel
30	98-9611	1	Gasket
40	98-7611	1	Controller-Glow
50	106-7772	1	Thermoswitch
60	104-9318	1	Bottle-Overflow
70	105-3754	1	Cap
80	105-3755	1	Gasket
90	105-3756	1	Plate
100	107-7827	1	Manual-Operator, Kubota
110	98-9705	1	Starter ASM
120	98-7697	2	Bolt

--	--	--	--	--

# Attachments and Accessories

## For 30839 - Groundsmaster 3500-D

Product Name	Model/Part
Blade-Lift, High .....	105-4089-03
Blade-Sail, Angle .....	105-9810-03
Blade-Atomic .....	107-0235-03
Blade-Combo .....	108-9026-03
27 Inch Rotary Cutting Unit .....	30834
Leaf Mulching Kit .....	30836

# NOTES

# NOTES

# NOTES

